

[1]



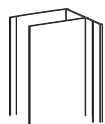
X1

[2]



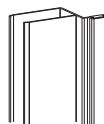
X1

[3]



X2

[4]



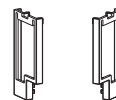
X1

[5]



X2

[6]



X1

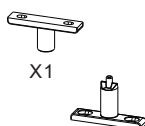
X1

[7]



X1

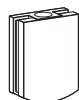
[8]



X1

X1

[9]



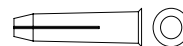
X1

[10]



X1

[11]



X6

[12]



ST3.5X32
X10

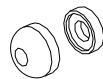
[13]



ST3.5X9.5

X10

[14]



X12

[15]



ST3.5X13

X4

[16]



L=1766

X1

[17]



L=1766

X1

[18]



L=1763

X1

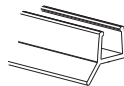
[19]



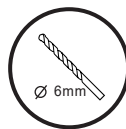
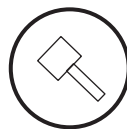
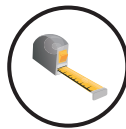
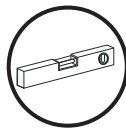
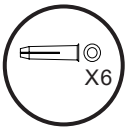
X1

X1

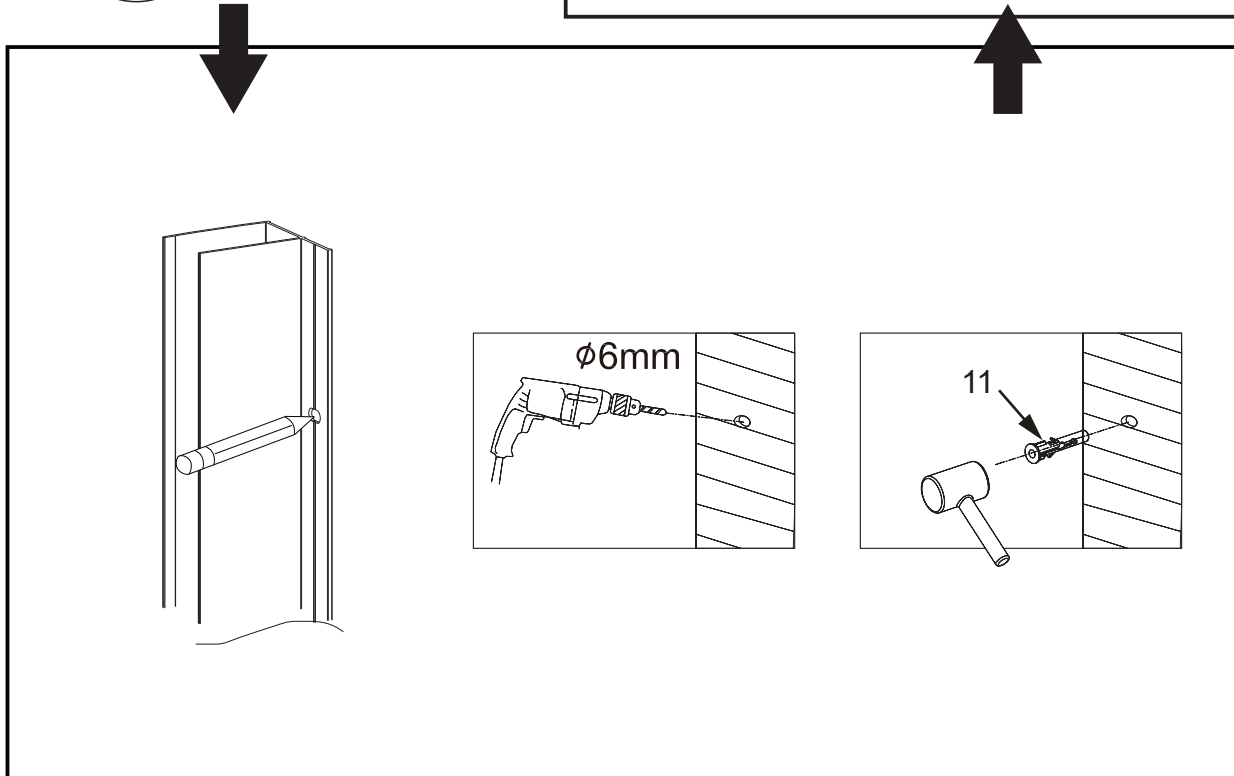
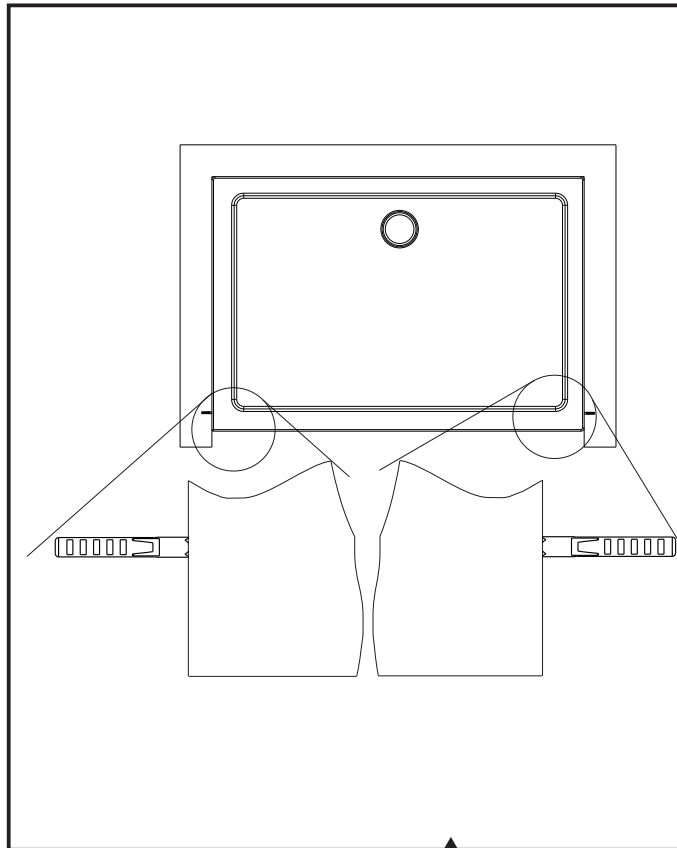
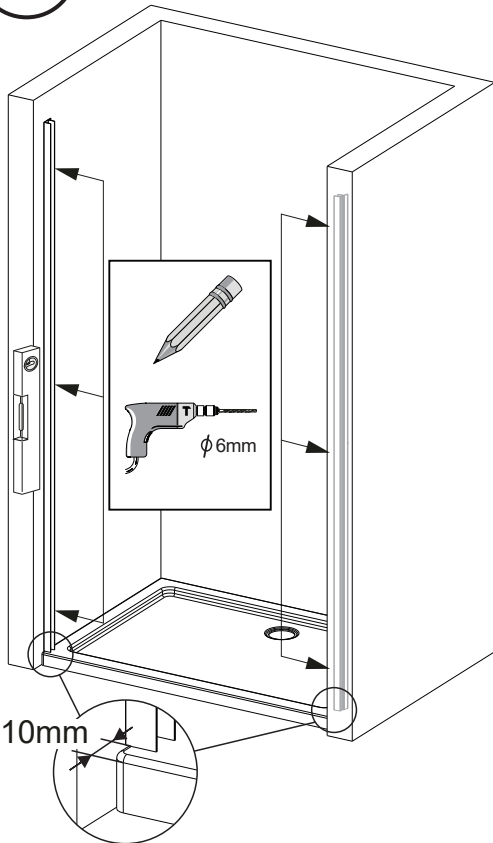
[20]

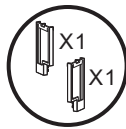
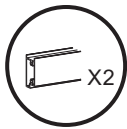


X2

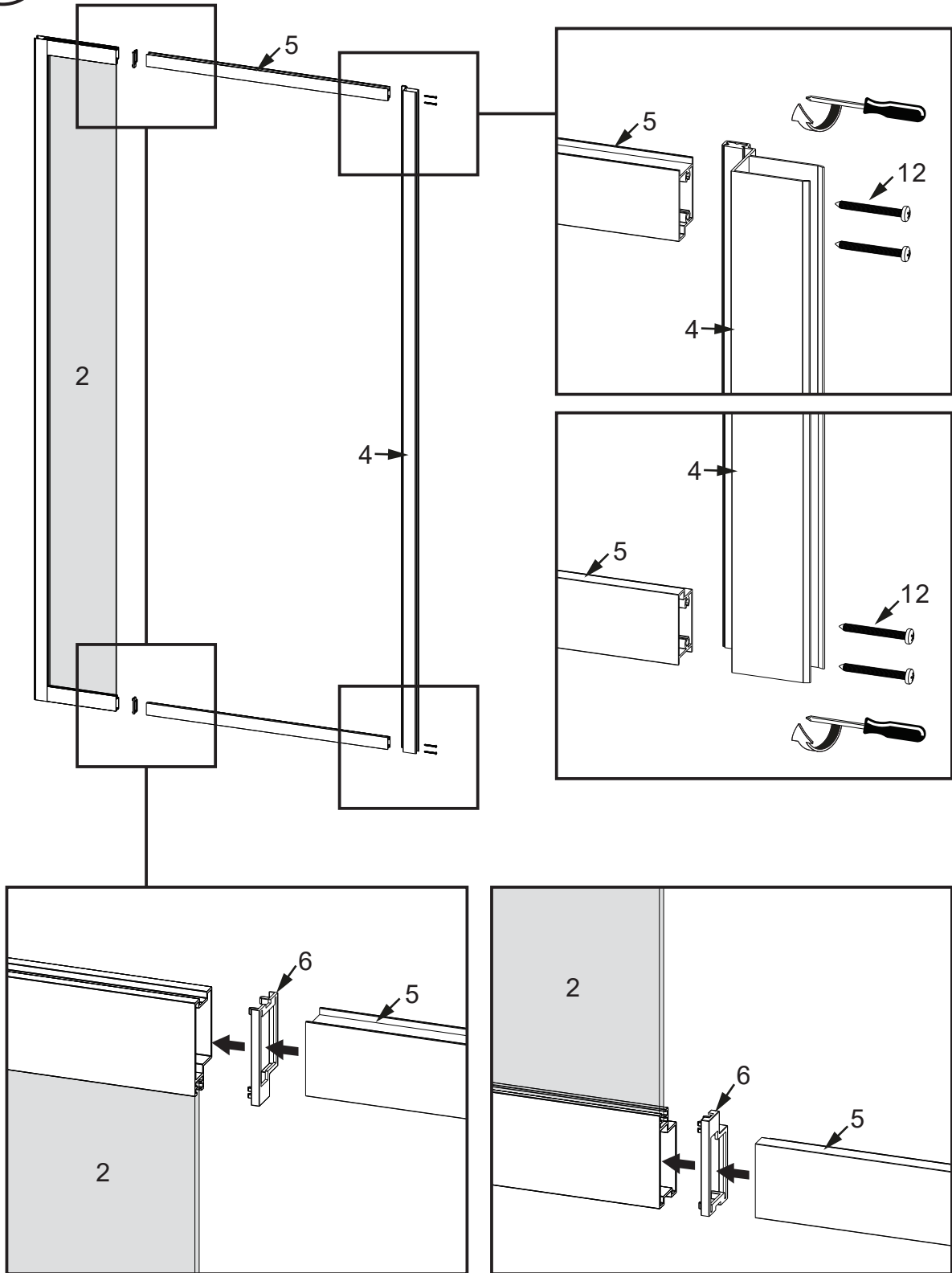


1



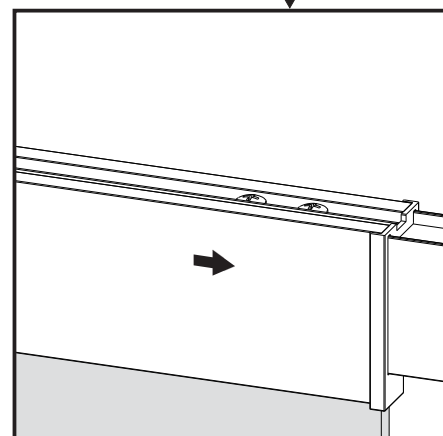
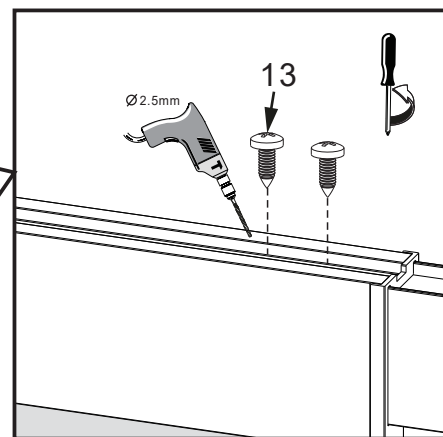
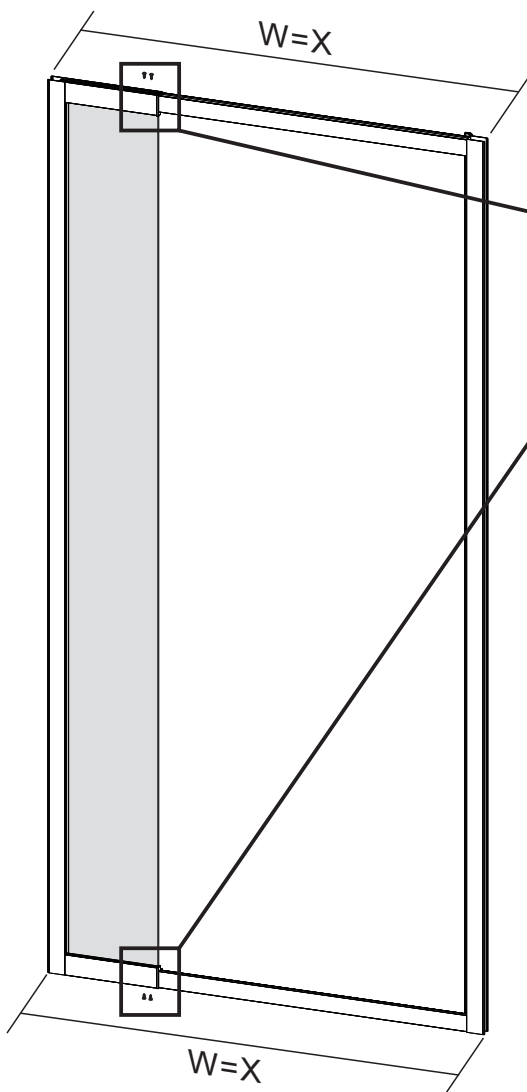
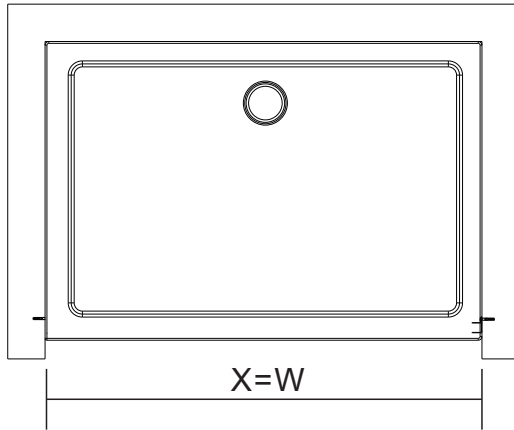


2



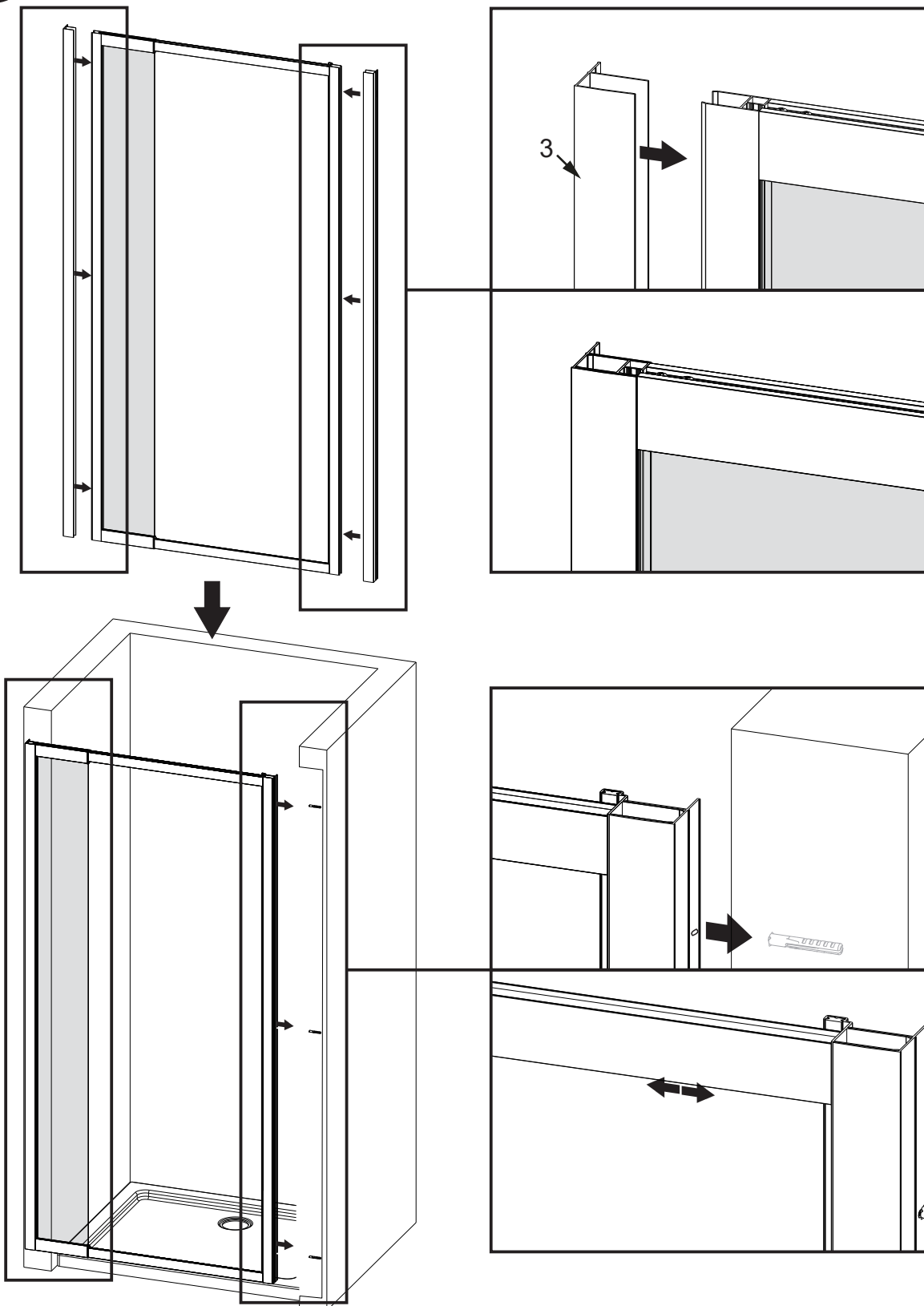


3



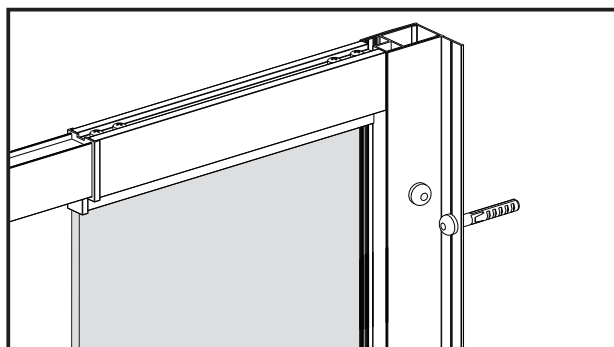
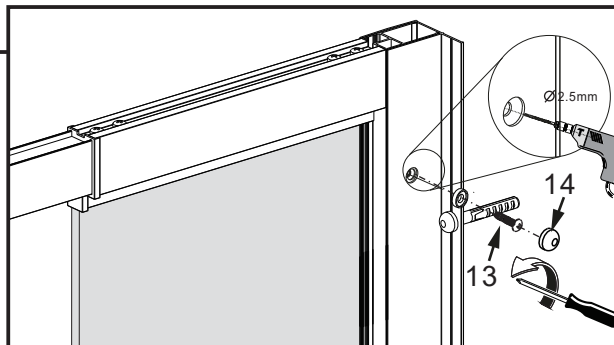
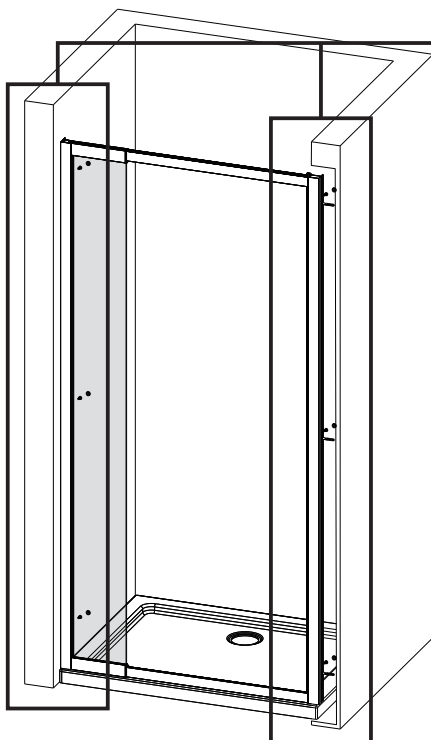
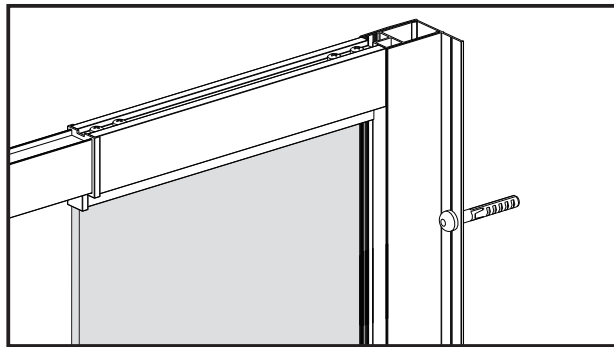
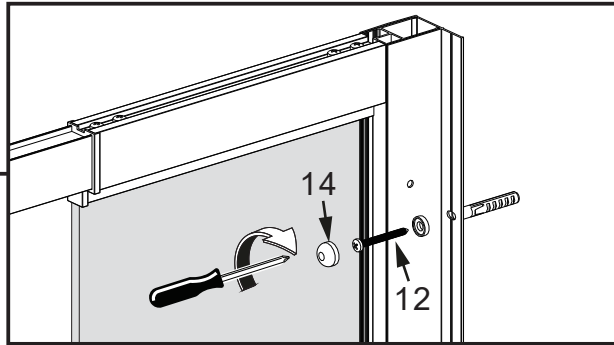
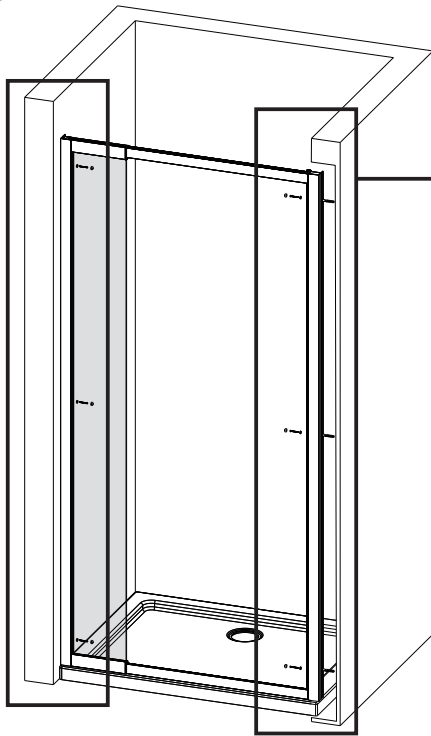


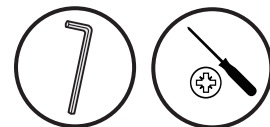
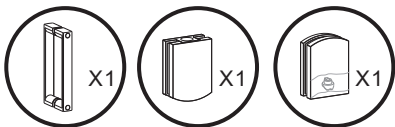
4



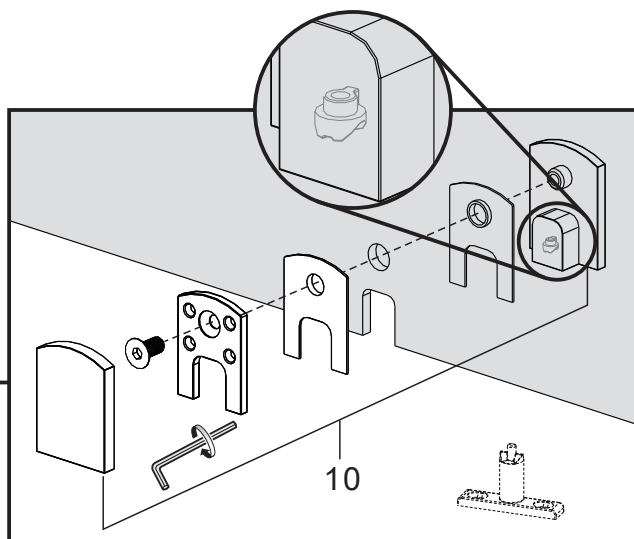
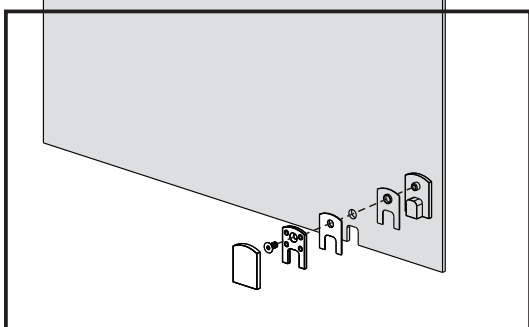
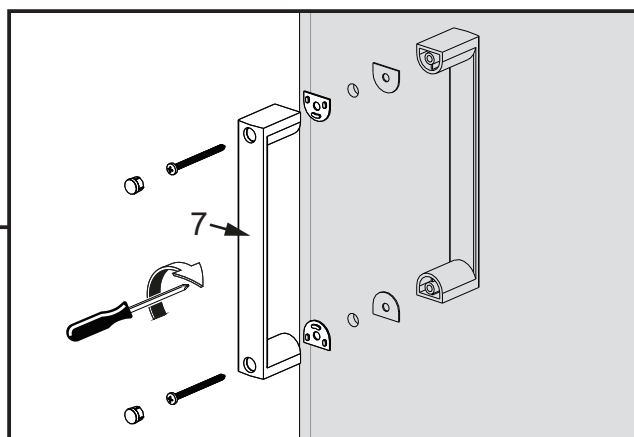
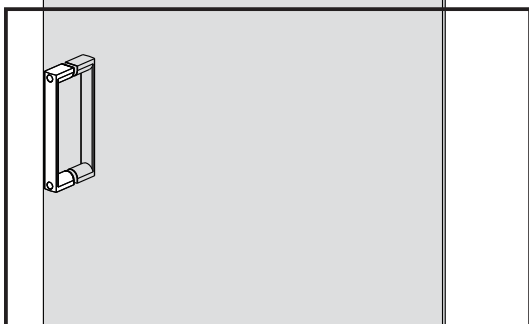
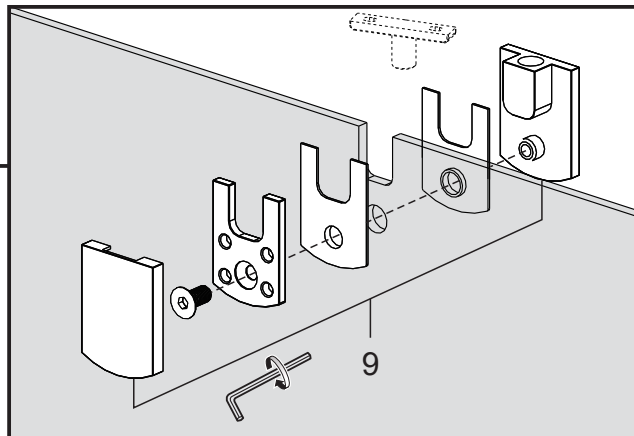
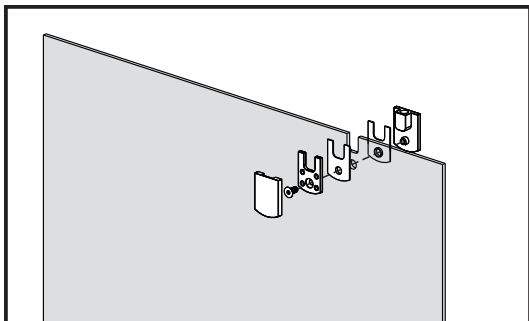


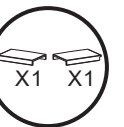
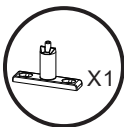
5



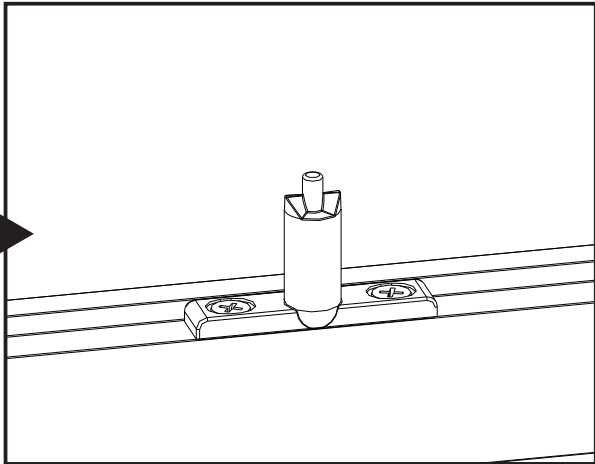
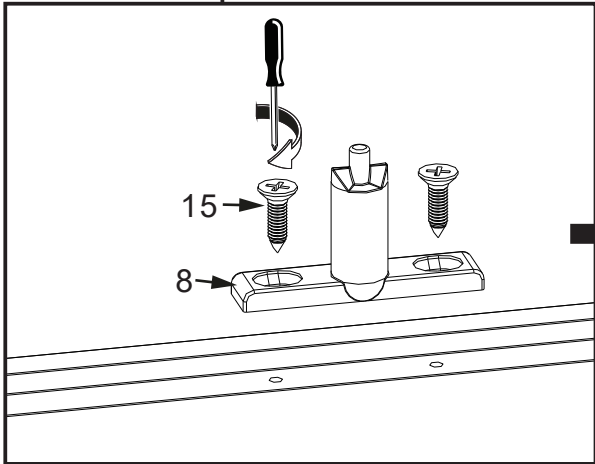
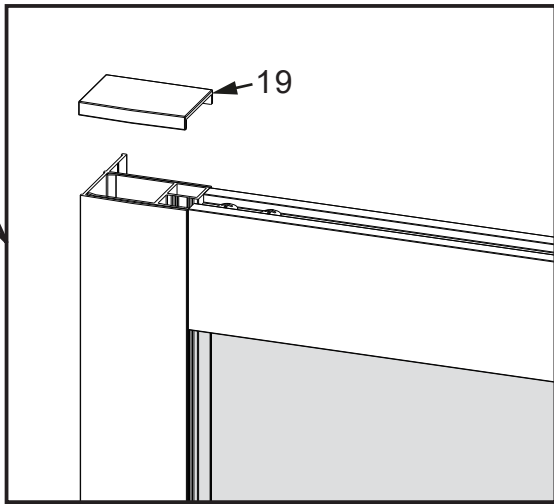
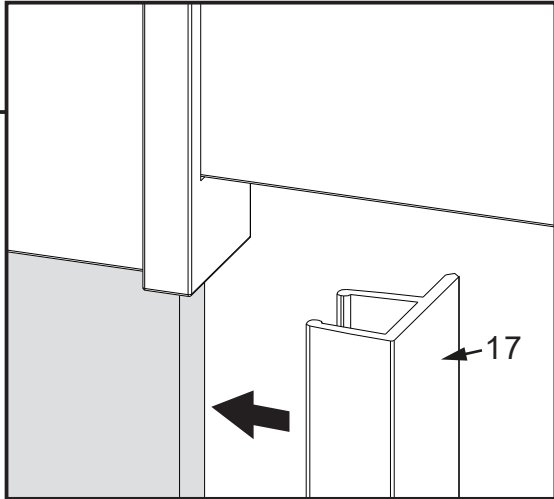
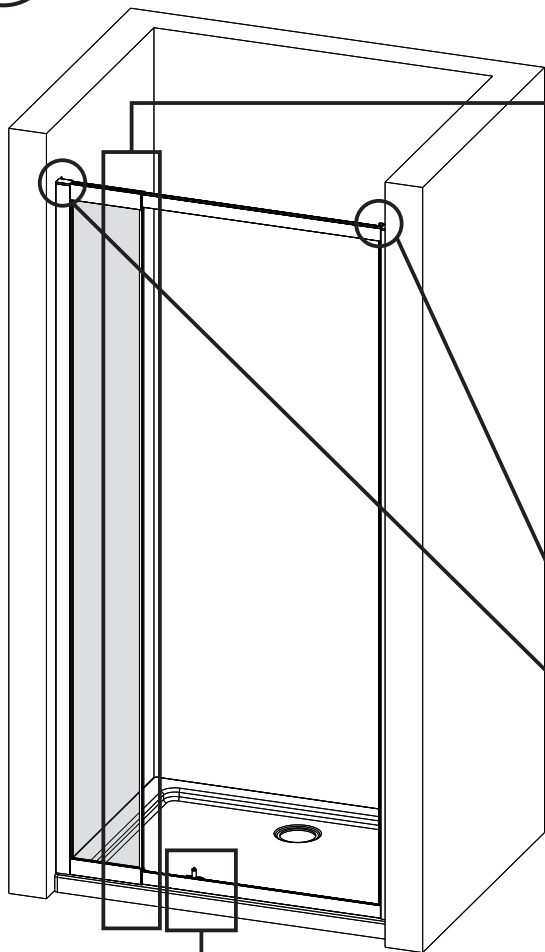


6



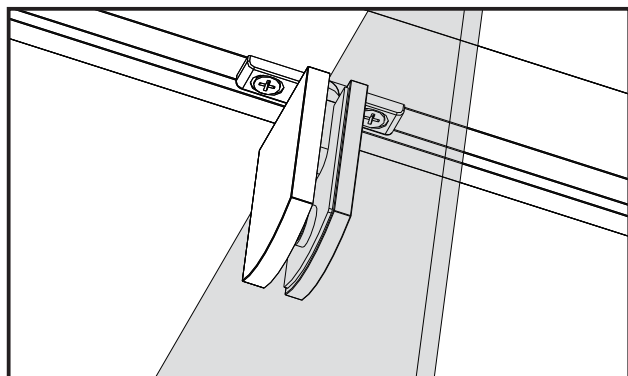
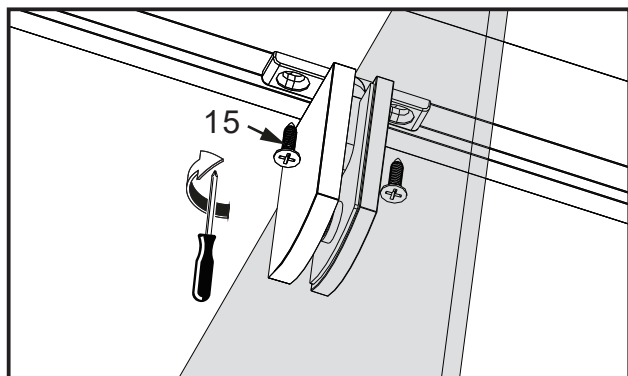
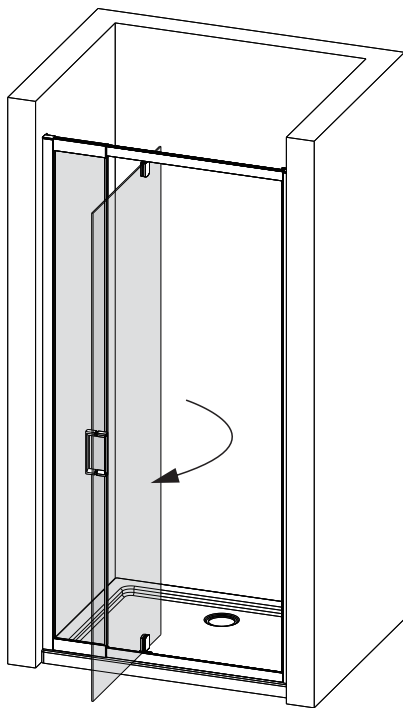
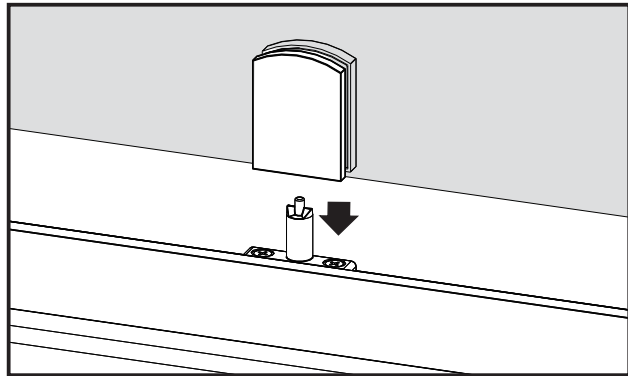
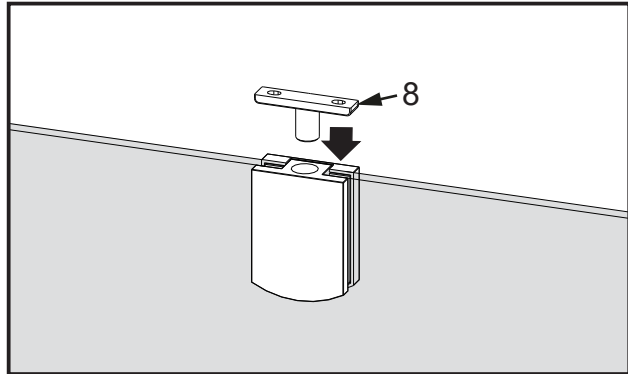
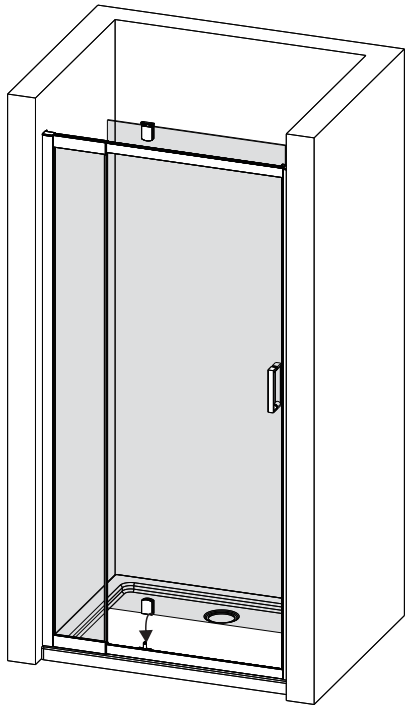


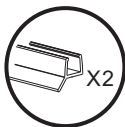
7



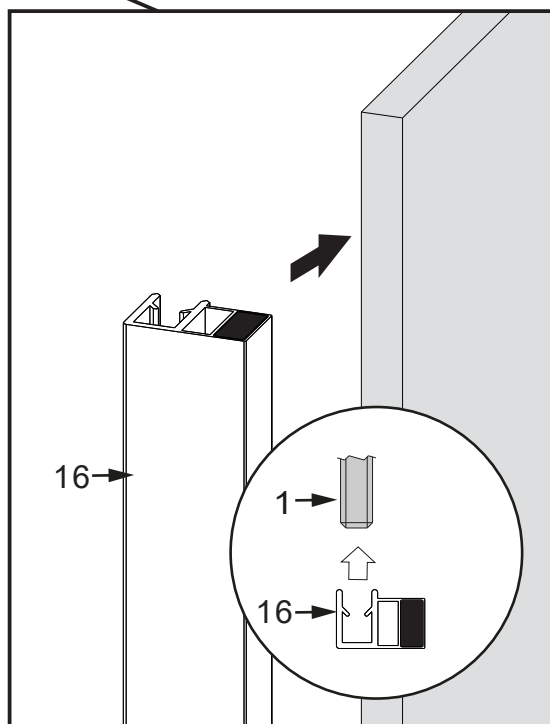
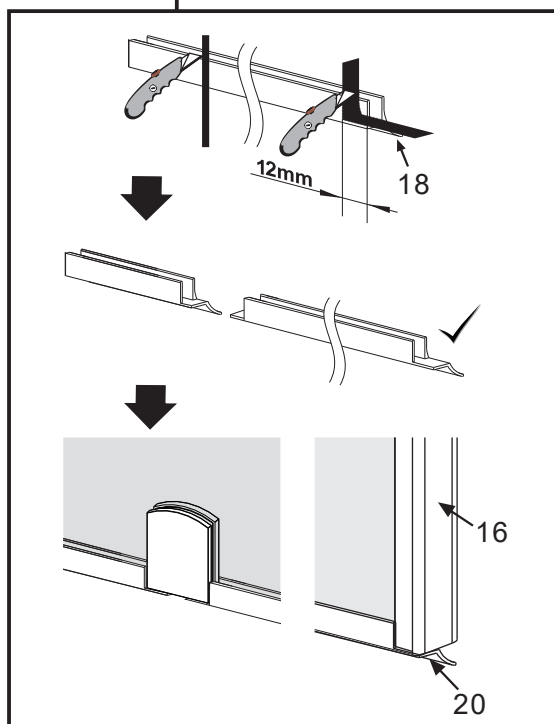
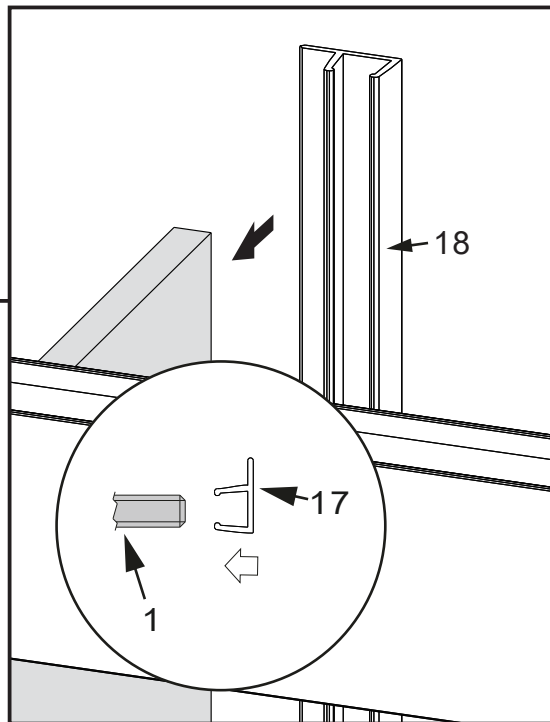
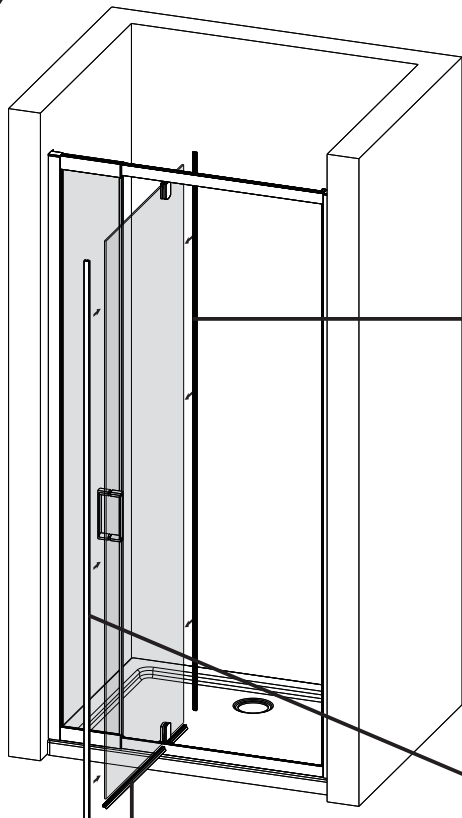


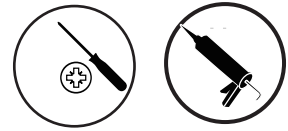
8





9





10

