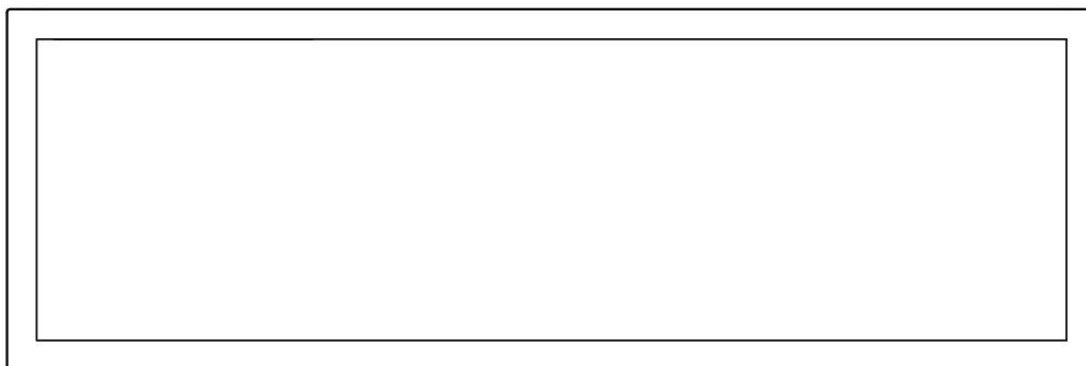


ELECTRIC FLAT PANEL FIREPLACE -NO HEAT

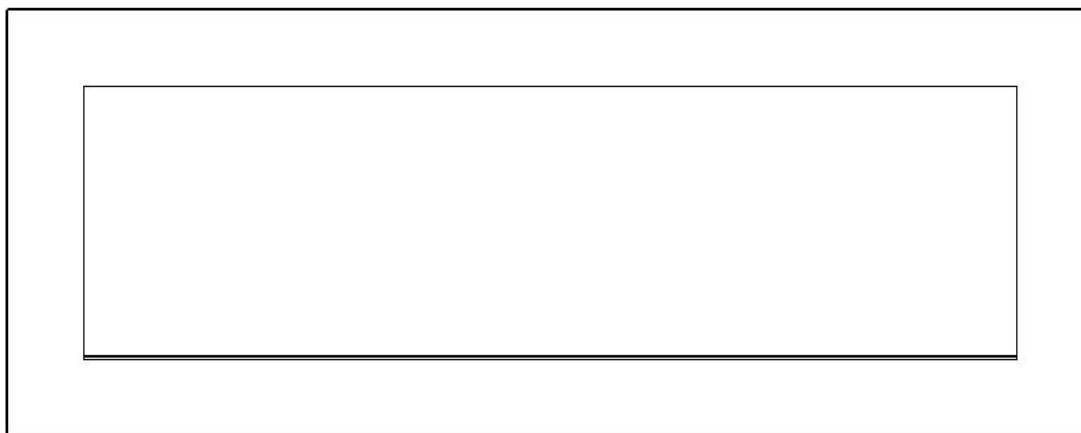
Model# : ■ AV-WM92PRI-S ■ AV-WM115PRI-S ■ AV-WM127PRI-S
■ AV-WM153PRI-S ■ AV-WM165PRI-S ■ AV-WM183PRI-S

Model# : ■ AV-WM105PRI-B ■ AV-WM128PRI-B ■ AV-WM140PRI-B
■ AV-WM166PRI-B ■ AV-WM178PRI-B

OWNER'S MANUAL



Slimline Wall Mounted / Built-in Electric Fireplace



Big frame Wall Mounted / Built-in Electric Fireplace

Polski s. 14
Deutsche S. 27
Italiano p. 40
Español p. 53
Français p. 66
Český s. 79
Slovenský s. 92

AC 220V-240V 50Hz

WARNING

Read and understand this entire owner's manual, including **all safety information**, before plugging in or **using** this product. Failure to do so could result in **fire, electric shock, or serious personal injury.**



www.aflamo.com



IMPORTANT SAFETY INFORMATION!

WARNING

When using electrical appliances basic precautions should always be followed to reduce the risk of fire, electric shock and injury to persons, including the following:

- Read all instructions before using this fireplace.
- Always unplug fireplace when not in use.
- Do not operate any fireplace with a damaged cord or plug or after the fireplace malfunctions, has been dropped damaged in any manner, return fireplace to authorized service facility for examination, electrical or mechanical adjustment, or repair.
- Indoor use only, do not use outdoors.
- This fireplace is not intended for use in bathrooms, laundry areas and similar indoor locations. Never locate fireplace where it may fall into a bathtub or other water container.
- Do not run cord under carpeting. Do not cover cord with throw rugs, runners, or similar coverings. Arrange cord away from traffic area and where it will not be tipped over.
- To disconnect fireplace, turn controls to off, then remove plug from outlet.
- Use this fireplace only as describes in this manual. Any other use not recommended by the manufacturer may cause fire, electric shock, or injury to persons.
- Replacement of the lamps should be done only while the fireplace is disconnected from the supply circuit.
- This appliance is not intended for use by persons (including children) with reduced physical, sensory or capabilities, or lack of experience and knowledge, unless they have been given supervision or instruction concerning use of the appliance by a person responsible for their safety. Children should be supervised to ensure that they do not play with the appliance.

Preparation


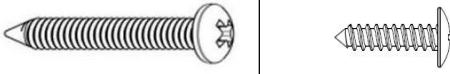
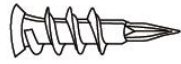
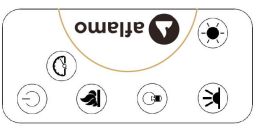


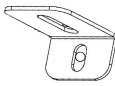
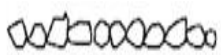


This product includes a **GLASS panel!** Always use **extreme caution** when handling **glass**. Failure to do so could result in **personal injury** or **property damage**.

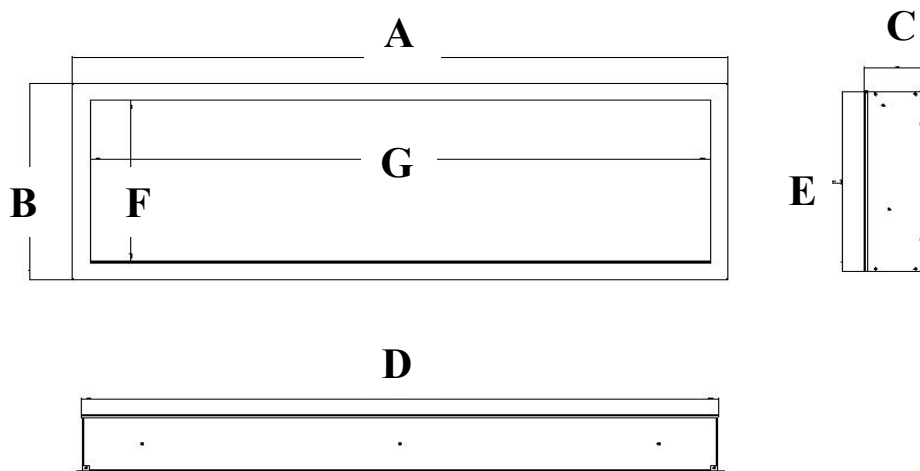
Remove all parts and hardware from the carton and place them on a clean, soft, dry surface. Parts and assembly steps are grouped for wall-hanging or recessing use. Check the parts list to make sure nothing is missing. Dispose of packaging materials properly. Please recycle whenever possible.

You will need the following tools (not included): Phillips screwdriver; stud finder; level; tape measure; electric drill; 1/4" wood drill bit, hammer.

Parts and Hardware

 <p>A – Fireplace</p>	 <p>B – Wood Screws</p>		 <p>C – Drywall anchors</p>
	 <p>Remote Control</p>		 <p>Plastic ember bed strip</p>
	 <p>E-Wall Bracket Fixed on back of firebox</p>	 <p>F-L shape bracket</p>	 <p>G-Decorative Crystals/Pebbles</p>

Specification and Dimension



PRODUCT DIMENSIONS

Model Number	A	B	C	D	E	F	G
AV-WM92PRI-S	36" 91.5cm	16.54" 42cm	5.04" 12.8cm	34.53" 87.7cm	15.2" 38.6cm	13.78" 35cm	33.27" 84.5cm
AV-WM115PRI-S	45" 114.3cm	16.54" 42cm	5.04" 12.8cm	43.51" 110.5cm	15.2" 38.6cm	13.78" 35cm	42.24" 107.3cm
AV-WM127PRI-S	50" 127CM	16.54" 42cm	5.04" 12.8cm	48.51" 123.2cm	15.2" 38.6cm	13.78" 35cm	47.24" 120cm
AV-WM153PRI-S	60" 152.4cm	16.54" 42cm	5.04" 12.8cm	58.51" 148.6cm	15.2" 38.6cm	13.78" 35cm	57.24" 145.4cm
AV-WM165PRI-S	65" 165cm	16.54" 42cm	5.04" 12.8cm	63.51" 161.3cm	15.2" 38.6cm	13.78" 35cm	62.2" 158cm
AV-WM183PRI-S	72" 182.8cm	16.54" 42cm	5.04" 12.8cm	70.52" 179.1cm	15.2" 38.6cm	13.78" 35cm	69.21" 175.8cm

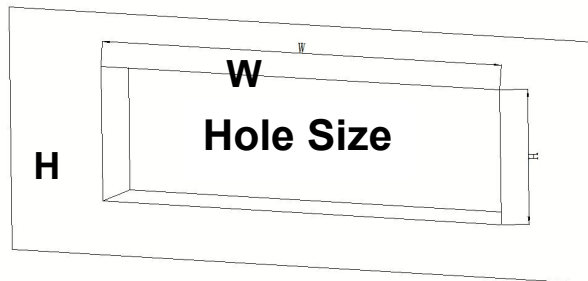
PRODUCT DIMENSIONS

Model Number	A	B	C	D	E	F	G
AV-WM105PRI-B	41.14" 104.5cm	21.65" 55cm	5.04" 12.8cm	34.53" 87.7cm	15.2" 38.6cm	13.78" 35cm	33.27" 84.5cm
AV-WM128PRI-B	50.12" 127.3cm	21.65" 55cm	5.04" 12.8cm	43.51" 110.5cm	15.2" 38.6cm	13.78" 35cm	42.24" 107.3cm
AV-WM140PRI-B	55.12" 140CM	21.65" 55cm	5.04" 12.8cm	48.51" 123.2cm	15.2" 38.6cm	13.78" 35cm	47.24" 120cm
AV-WM166PRI-B	65.12" 165.4cm	21.65" 55cm	5.04" 12.8cm	58.51" 148.6cm	15.2" 38.6cm	13.78" 35cm	57.24" 145.4cm
AV-WM178PRI-B	70.08" 178cm	21.65" 55cm	5.04" 12.8cm	63.51" 161.3cm	15.2" 38.6cm	13.78" 35cm	62.2" 158cm
AV-WM196PRI-B	77.09" 195.8cm	21.65" 55cm	5.04" 12.8cm	70.52" 179.1cm	15.2" 38.6cm	13.78" 35cm	69.21" 175.8cm

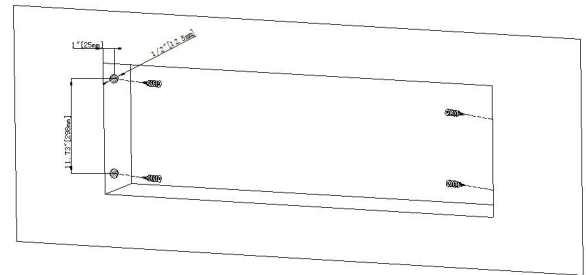
Installation and Assembly

NOTE: Install the fireplace in such a way that, in the event of a failure, it can be removed from the wall for service purposes.

RECESSED TO WALL INSTALLATION



(A)

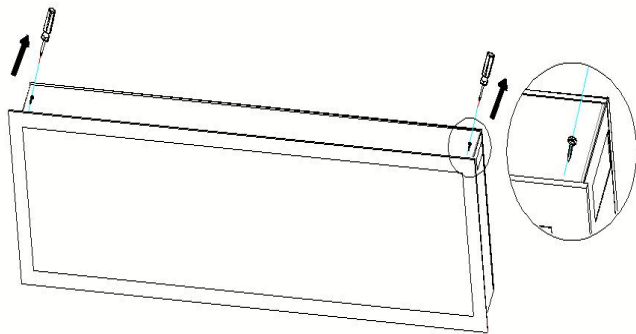


(B)

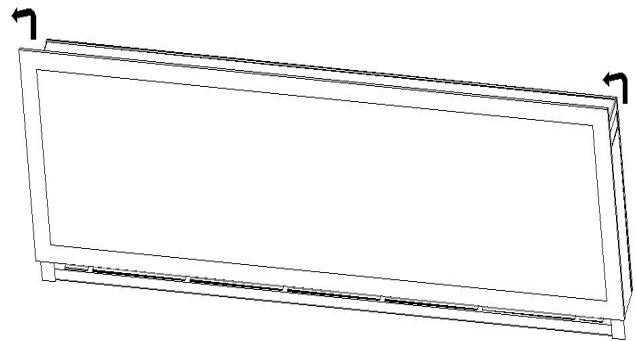
STEP A. Selection a dry wall to open a hole for fireplace box. Size of hole as below chart **Figure (A)**

Framing Hole Size		
Model Number	W	H
AV-WM92PRI-S AV-WM105PRI-B	35.1" (89.2cm)	15.78" (40.1cm)
AV-WM115PRI-S AV-WM128PRI-B	44" (112cm)	15.78" (40.1cm)
AV-WM127PRI-S AV-WM140PRI-B	50.6" (128.5cm)	15.78" (40.1cm)
AV-WM153PRI-S AV-WM166PRI-B	59" (150.1cm)	15.78" (40.1cm)
AV-WM165PRI-S AV-WM178PRI-B	64" (162.8cm)	15.78" (40.1cm)
AV-WM183PRI-S AV-WM196PRI-B	7.1" (180.6cm)	15.78" (40.1cm)

STEP B. Fix the wall anchors in each side of the fireplace box according to the dimensions showed on the drawing. **Figure (B)**



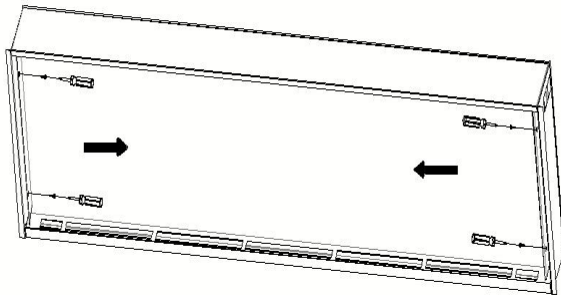
(C)



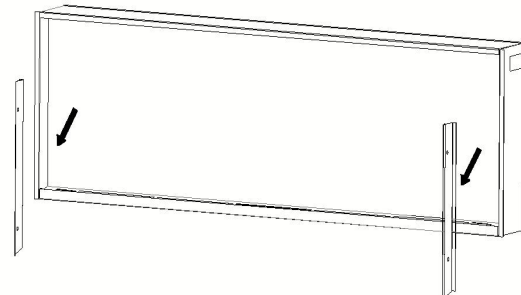
(D)

STEP C. Take off the screw in both sides of the top fireplace box. **Figure (C)**

STEP D. Have two person to take the glass panel out of the fireplace box. Place it to a soft and clean place. **Figure (D)**

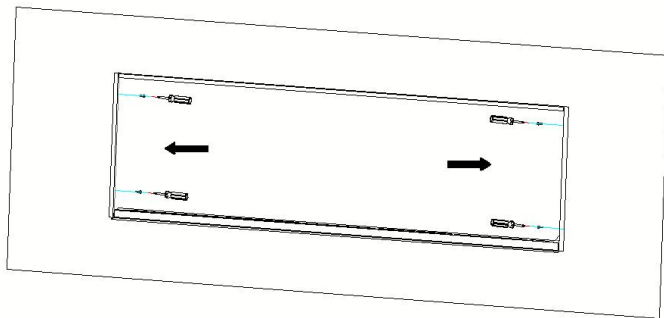


(E)

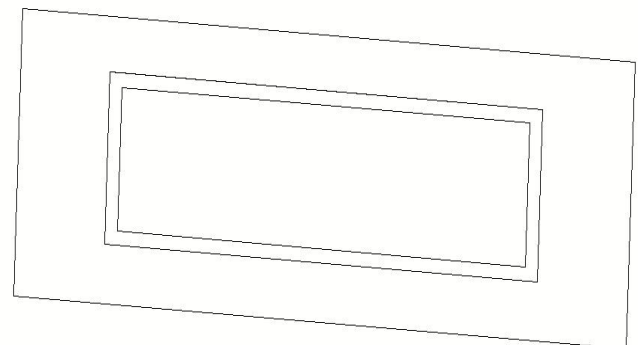


(F)

STEP E. Take off the two screws in both sides, then take off the two metal brackets, keep them well as you will need to screw back . **Figure (E, F)**



(G)



(H)

STEP F. Have two person to move the fireplace box to the wall hole. With the appliance is fully recessed into the wall.

- Use the 4 screws (provided) to lock the appliance into the wall with the existing two sides see **Figure (G)**
- Reinstall the two brackets, then install the media and re-install the glass front. **Figure (H)**

Wall Mounted Installation

Due to the many different materials used on different walls, it is highly recommended that you consult your local builder before you install this appliance on the wall.

A. Select a location that is not prone to moisture and is located at least 36" (914mm) away from combustible materials such as curtain drapes, furniture, bedding, paper, etc.

B. Have two people hold the appliance against the wall to determine the final location.

C. Place unit face down on a soft, non abrasive surface. Remove the bracket from the back of the unit by removing the screws, refer to Figure 1.

D. Mark out location, then mount the bracket(s) onto the wall using the supplied screws. This bracket

MUST have the hooks facing upward and be level. **NOTE: It is strongly**

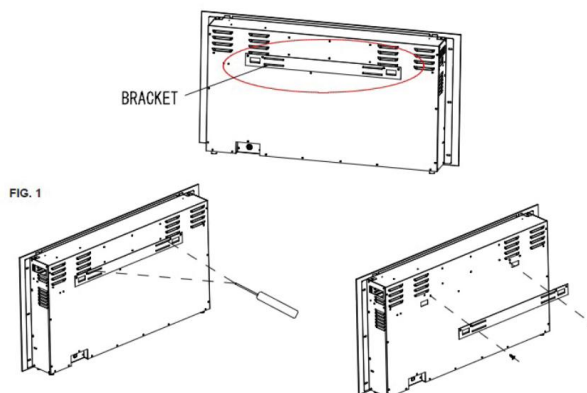
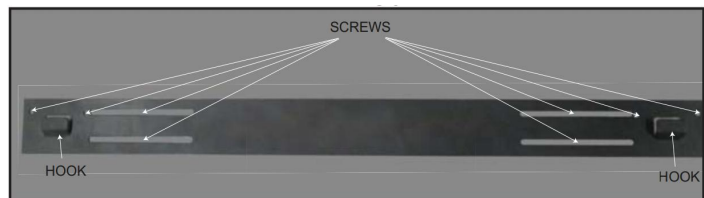
recommended that the mounting bracket (E) be Screwed into the wall studs Where possible. If the wall Studs cannot be used, ensure

That the supplied plastic anchors are used to affix the bracket to the wall and the bracket is adequately secured.

E. With the wall mounting bracket installed have two people lift the appliance up and insert the two hooks

on the bracket into the two slots on the back of the appliance.

F. Check the appliance for stability ensuring that the bracket will not pull free from the wall.

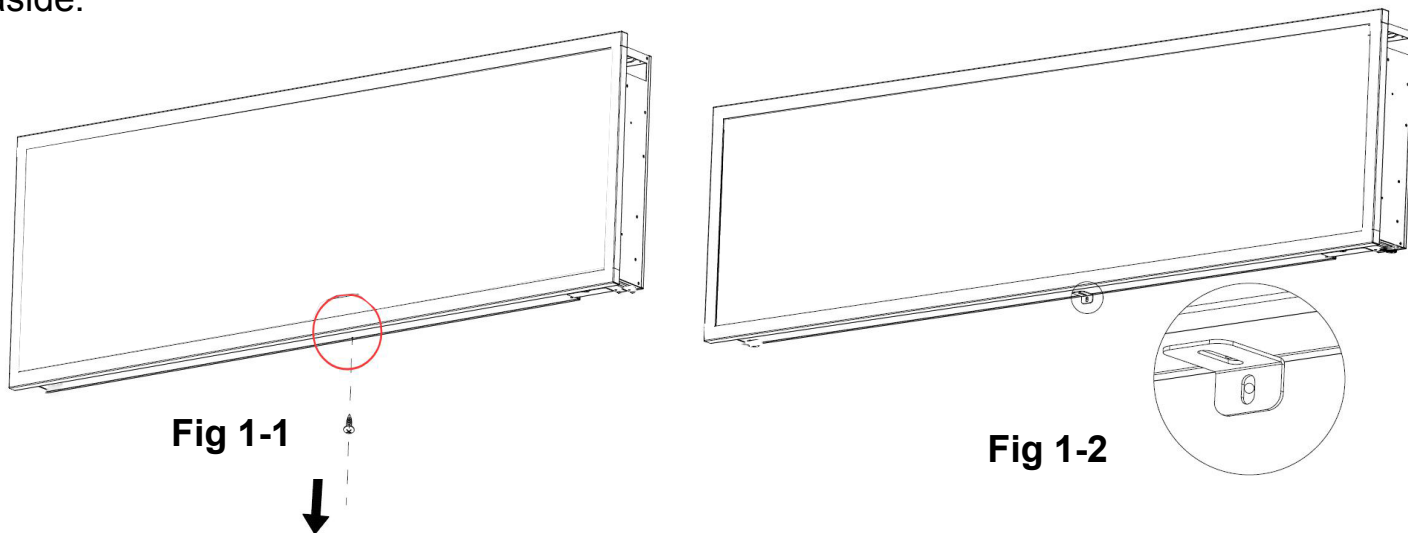


Wall Bracket Illustrated

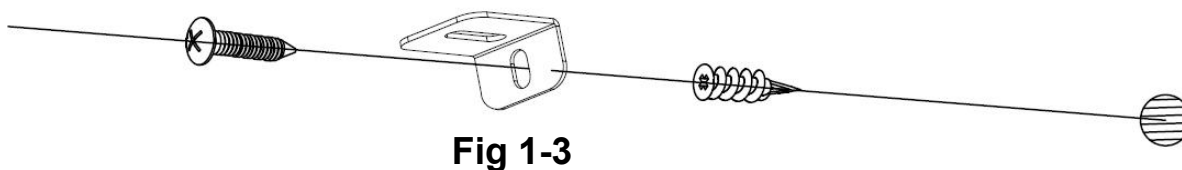
“L” Shape bracket installation

After make the installation of the wall bracket (s)

A.Remove the silver screw at the bottom of the appliance. (**Fig 1-1**). Set the screw aside.



B.Using the screw previously removed, attached the L-bracket (supplied) to the bottom of the fireplace box.(**Fig 1-2**)



C.Install the plastic anchor into the dry wall, then install the screw **B** (supplied) into the hole of the L-bracket into the wall anchor to secure the fireplace from coming off the hooks.(**Fig 1-3**)

Log-set / Crystals/Pebbles Installation

(NOTE: Please make the installation according to the embers which you bought or selected.)

- A. Glass front must be removed and the appliance must be mounted in its final location before the drift logs embers are installed.
- B. Carefully place the plastic ember bed strip to the slot, then place crystal/pebbles embers onto the surface of the ember bed as illustrated. Apply an even layer from side to side. **Figure 1, Figure 2.**



Figure 1. (Crystals)



Figure 2. (Pebbles)

Optional log-set installation

Carefully place log-set on the designed slot (see below illustration) (Figure 3.)



Figure 3. (Log-set)

Operation



Read and understand this entire owner's manual, including **all safety information**, before **plugging in** or **using** this product. Failure to do so could result in **electric shock, fire, serious injury, or death.**

Power

Plug the power cord into a AC 220-240 Volt outlet (see **IMPORTANT SAFETY INFORMATION** on **Pages 2 and 3**). Make sure the outlet is in good condition and that the plug is not loose. **NEVER** exceed the maximum amperage for the circuit. **DO NOT** plug other appliances into the same circuit.

Methods of Operation



This electric fireplace can be operated **ONLY** by the REMOTE CONTROL.





Before operating, please review the **IMPORTANT SAFETY INFORMATION** on **Pages 2**, and heed all warnings.



Remote Control

Remote Control Operation


BUTTON	FUNCTION	ACTION & INDICATION
 POWER	ON: Enables control panel functions and remote control. Turns on flame effect. OFF: Disables control panel functions and remote control. Turns off flame effect.	<ol style="list-style-type: none"> Press once. Indicator light turns on. Power turns on. All functions enabled. Press again. Flame effect turns off. Unit goes to standby. All functions turn off.
 SPEED	Flame speed button: Controls the speed of the flame. There are 4 flame speed settings: 01 (slowest), 02 (Medium), 03 (fast), 04 (fastest)	<ol style="list-style-type: none"> Press once. Flame speed gets changing. Press again until desired setting is reached. Display shows the setting. The Default setting is 02 (medium speed)

 FLAME COLOR	<p>Flame color button: Makes the color flame effect changing.</p> <p>NOTE: color effect stays on until power button is turned off. Color flame effect must be on for fireplace to turn on.</p> <p>NOTE: this fireplace is with memory function for flame.</p>	<ol style="list-style-type: none"> 1. Press once. Flame color effect gets changing. 2. Press again until desired setting is reached. In total 3 colors for flame.
 FLAME BRIGHTNESS	<p>FLAME button: Makes flame effect dimmer and brighter.</p> <p>NOTE: Flame effect stays on until power button is turned off. Flame effect must be on for heater to turn on.</p>	<ol style="list-style-type: none"> 1. Press once. Indicator light turns on. Flame brightness effect gets changing. 2. Press again. until desired setting is reached.
 EMBER LIGHTS	<p>LED Ember light button: Makes the color on bottom effect gets changing.</p> <p>NOTE: Ember color effect stays on until power button is turned off.</p> <p>NOTE: this fireplace is with memory function for LED ember lights.</p>	<ol style="list-style-type: none"> 1. Press once. LED ember light color effect gets changing. 2. Press again until desired setting is reached. In total 10 colors for EMBER. 3. Auto-cycle function: When pressing with the 11th time, the LED ember light will do auto-cycling (NOTE: It will take 15 seconds to switch between colors.)
 EMBER BRIGHTNESS	<p>LED Ember light brightness button: Makes the LED ember lights on bottom effect gets changing.</p> <p>NOTE: LED Ember light brightness effect stays on until power button is turned off.</p>	<ol style="list-style-type: none"> 1. Press once. LED ember light brightness effect gets changing. 2. Press again until desired setting is reached. In total 5 levels.

NOTICE To improve operation, **aim** the remote control at the front of the fireplace. **DO NOT press the buttons too quickly.** Give the unit time to respond to each command.

Remote Control Battery Information

- Remote control uses one CR2025 battery (**Included**)

 **NEVER** dispose of batteries in **fire**. Failure to observe this precaution **may result in an explosion**. Dispose of batteries at your local hazardous material processing center.

Care and Maintenance

Cleaning



ALWAYS turn the fireplace **OFF** and **unplug the power cord from the outlet** before cleaning, performing maintenance, or moving this fireplace. Failure to do so could result in **electric shock, fire, or personal injury**.



NEVER immerse in water or **spray with water**. Doing so could result in **electric shock, fire, or personal injury**.

Metal:

- Buff using a soft cloth, slightly dampened with a citrus oil-based product.
- **DO NOT** use brass polish or household cleaners as these products will damage the metal trim.

Glass:

- Use a good quality glass cleaner sprayed onto the cloth or towel. Dry thoroughly with a paper towel or lint-free cloth.
- **NEVER** use abrasive cleansers, liquid sprays, or any cleaner that could scratch the surface.

Vents:

- Use a vacuum or duster to remove dust and dirt from the fireplace and vent areas.

Plastic:

- Wipe gently with a slightly damp cloth and a mild solution of dish soap and warm water.
- **NEVER** use abrasive cleansers, liquid sprays, or any cleaner that could scratch the surface.

Maintenance



Risk of electric shock! DO NOT OPEN any panels ! No user-serviceable parts inside!



ALWAYS turn the fireplace **OFF** and **unplug the power cord from the outlet** before cleaning, performing maintenance, or moving this fireplace. Failure to do so could result in **electric shock, fire, or personal injury**.

Electrical and Moving Parts:

- Electrical components are integrated in the fireplace and are not serviceable by the consumer.

Storage:

- Store fireplace in a clean dry place when not in use.



WARNING! NO SERVICING of the internal or electrical parts should be performed by the consumer. Do not service the unit yourself.



WEEE:

Meaning of crossed –out wheeled dustbin:

Do not dispose of electrical appliances as unsorted municipal waste, use separate collection facilities. Contact you local government for information regarding the collection systems available. If electrical appliances are disposed of in landfills or dumps, hazardous substances can leak into the groundwater and get into the food chain, damaging your health and well-being.

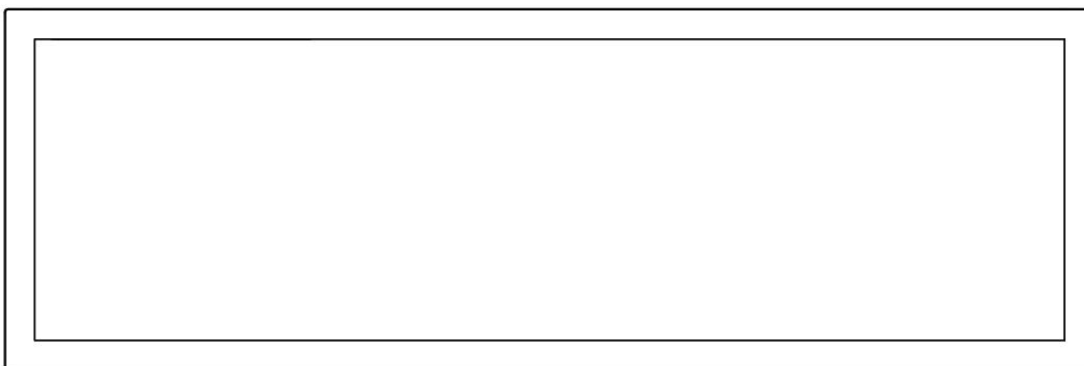
When replacing old appliances with new ones, the retailer is legally obligated to take back your old appliance for disposals at least free of charge.

ŚCIENNY KOMINEK ELEKTRYCZNY - BEZ GRZANIA

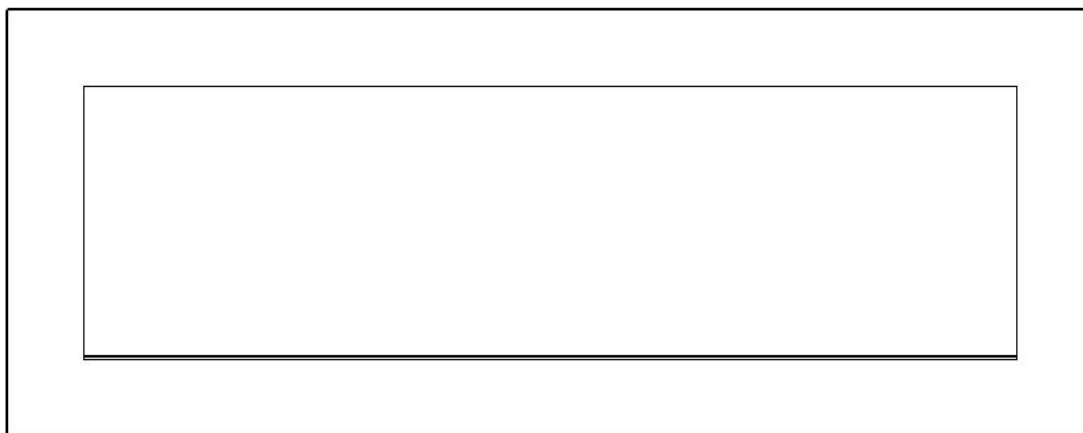
Model# : ■ AV-WM92PRI-S ■ AV-WM115PRI-S ■ AV-WM127PRI-S
■ AV-WM153PRI-S ■ AV-WM165PRI-S ■ AV-WM183PRI-S

Model# : ■ AV-WM105PRI-B ■ AV-WM128PRI-B ■ AV-WM140PRI-B
■ AV-WM166PRI-B ■ AV-WM178PRI-B

INSTRUKCJA UŻYTKOWNIKA



Kominek elektryczny z cienką ramką - ścienny / do zabudowy



Kominek elektryczny z grubszą ramką - ścienny / do zabudowy

AC 220V-240V 50Hz



**OSTRZE-
ŻENIE**

Przed podłączeniem lub skorzystaniem z urządzenia, **przeczytaj ze zrozumieniem** całą instrukcję użytkownika, z uwzględnieniem **wszystkich informacji dotyczących bezpieczeństwa**. Niezastosowanie się do tego wymogu może skutkować **wzniesieniem ognia, porażeniem prądem lub poważnymi obrażeniami ciała**.

WAŻNE INSTRUKCJE BEZPIECZEŃSTWA:

OSTRZEŻENIE:

Podczas korzystania z urządzeń elektrycznych, należy zawsze przestrzegać podstawowych środków ostrożności, aby zmniejszyć ryzyko pożaru, porażenia prądem i obrażeń osób, z uwzględnieniem poniższych wskazówek:

- Przeczytaj wszystkie instrukcje przed użyciem tego urządzenia.
- Nieużywane urządzenie należy odłączyć od zasilania.
- Nie uruchamiaj urządzenia z uszkodzonym przewodem zasilającym lub wtyczką, bądź w przypadku usterki urządzenia, upadku z wysokości. Należy oddać urządzenie do autoryzowanego serwisu w celu zbadania, regulacji elektrycznej lub mechanicznej, lub naprawy.
- Urządzenie przeznaczone jest wyłącznie do użytku wewnątrz budynku.
- Nie używaj urządzenia w łazienkach, pralniach i podobnych pomieszczeniach. Nigdy nie umieszczaj urządzenia w miejscach gdzie może wpaść do wanny lub innego zbiornika z wodą.
- Nie prowadź przewodu zasilającego pod wykładziną. Nie zakrywaj przewodu dywanami, chodnikami oraz innymi wykładzinami. Prowadź przewód z dala od często uczęszczanych miejsc i tak, żeby nikt się o niego nie potknął.
- Aby odłączyć urządzenie, wygaś wszystkie kontrolki na „OFF”, a następnie wyjmij wtyczkę z gniazdka.
- Używaj kominka tylko w sposób przedstawiony w niniejszej instrukcji. Wszelkie inne zastosowania nie zalecane przez producenta, mogą spowodować pożar, porażenie prądem lub obrażenia osób.
- Lampy można wymieniać wyłącznie po odłączeniu kominka od zasilania.
- Niniejsze urządzenie nie jest przeznaczone do użytku przez osoby (w tym dzieci) o obniżonej sprawności fizycznej, umysłowej lub czuciowej bądź nieposiadające odpowiedniej wiedzy albo doświadczenia, chyba że znajdują się one pod nadzorem osoby odpowiedzialnej za ich bezpieczeństwo lub zostały przez nią poinstruowane w zakresie użytkowania urządzenia. Należy zadbać o to, aby dzieci nie bawiły się urządzeniem.

Przygotowanie


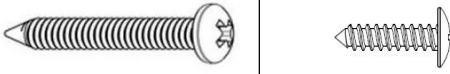
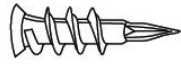
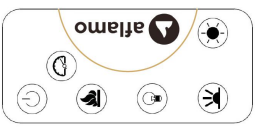

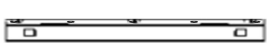
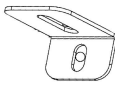



Produkt ten wyposażony jest w **szklany panel!** Zawsze podczas przenoszenia **szkła** należy zachować **szczególną ostrożność**. Niezastosowanie się do tego zalecenia może skutkować obrażeniami ciała lub uszkodzeniem mienia.

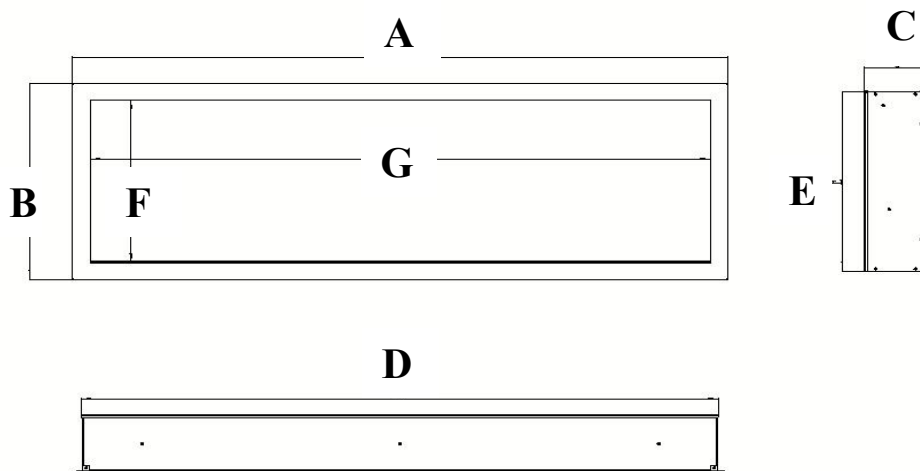
Wyjmij wszystkie podzespoły i elementy montażowe z kartonu i ułóż je na czystym, miękkim i suchym podłożu. Sprawdź listę części aby upewnić się, że niczego nie brakuje. Materiały opakowaniowe należy zutylizować we właściwy sposób. Zawsze gdy jest to możliwe, należy przekazywać odpady do ponownego przetwarzania.

Niezbędne będą następujące narzędzia (nie stanowią wyposażenia): śrubokręt krzyżakowy; poziomica; miarka; wiertarka; młotek.

Podzespoły i elementy montażowe

 <p>A – Kominek</p>	 <p>B – Śruby do drewna</p>	 <p>C – Kotwy</p>
	 <p>Pilot Zdalnego Sterowania</p>	 <p>Plastikowa listwa paleniska</p>
	 <p>E - Wspornik Montowany z tyłu obudowy</p>	 <p>F - Uchwyt montażowy "L"</p>
		 <p>H - Polana</p>

Specyfikacje i wymiary



WYMIARY PRODUKTU

Numer modelu	A	B	C	D	E	F	G
AV-WM92PRI-S	36" 91.5cm	16.54" 42cm	5.04" 12.8cm	34.53" 87.7cm	15.2" 38.6cm	13.78" 35cm	33.27" 84.5cm
AV-WM115PRI-S	45" 114.3cm	16.54" 42cm	5.04" 12.8cm	43.51" 110.5cm	15.2" 38.6cm	13.78" 35cm	42.24" 107.3cm
AV-WM127PRI-S	50" 127CM	16.54" 42cm	5.04" 12.8cm	48.51" 123.2cm	15.2" 38.6cm	13.78" 35cm	47.24" 120cm
AV-WM153PRI-S	60" 152.4cm	16.54" 42cm	5.04" 12.8cm	58.51" 148.6cm	15.2" 38.6cm	13.78" 35cm	57.24" 145.4cm
AV-WM165PRI-S	65" 165cm	16.54" 42cm	5.04" 12.8cm	63.51" 161.3cm	15.2" 38.6cm	13.78" 35cm	62.2" 158cm
AV-WM183PRI-S	72" 182.8cm	16.54" 42cm	5.04" 12.8cm	70.52" 179.1cm	15.2" 38.6cm	13.78" 35cm	69.21" 175.8cm

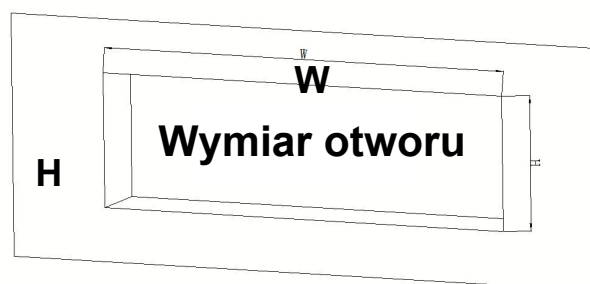
WYMIARY PRODUKTU

Numer modelu	A	B	C	D	E	F	G
AV-WM105PRI-B	41.14" 104.5cm	21.65" 55cm	5.04" 12.8cm	34.53" 87.7cm	15.2" 38.6cm	13.78" 35cm	33.27" 84.5cm
AV-WM128PRI-B	50.12" 127.3cm	21.65" 55cm	5.04" 12.8cm	43.51" 110.5cm	15.2" 38.6cm	13.78" 35cm	42.24" 107.3cm
AV-WM140PRI-B	55.12" 140CM	21.65" 55cm	5.04" 12.8cm	48.51" 123.2cm	15.2" 38.6cm	13.78" 35cm	47.24" 120cm
AV-WM166PRI-B	65.12" 165.4cm	21.65" 55cm	5.04" 12.8cm	58.51" 148.6cm	15.2" 38.6cm	13.78" 35cm	57.24" 145.4cm
AV-WM178PRI-B	70.08" 178cm	21.65" 55cm	5.04" 12.8cm	63.51" 161.3cm	15.2" 38.6cm	13.78" 35cm	62.2" 158cm
AV-WM196PRI-B	77.09" 195.8cm	21.65" 55cm	5.04" 12.8cm	70.52" 179.1cm	15.2" 38.6cm	13.78" 35cm	69.21" 175.8cm

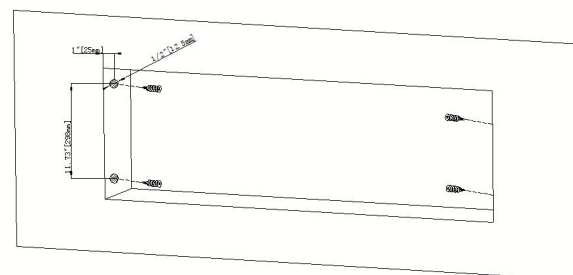
Instalacja i montaż

UWAGA: Zamontuj kominek w taki sposób, aby w przypadku awarii można było go wyjąć ze ściany w celach serwisowych.

MONTAŻ W ZABUDOWIE ŚCIANY



(A)

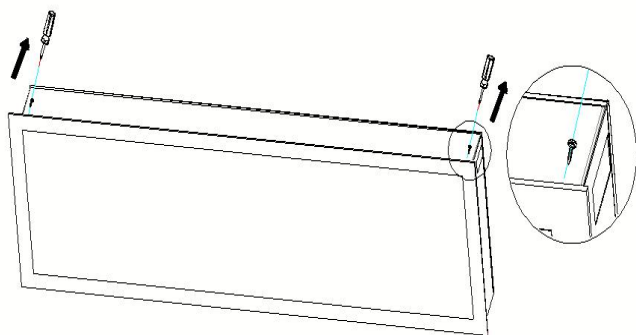


(B)

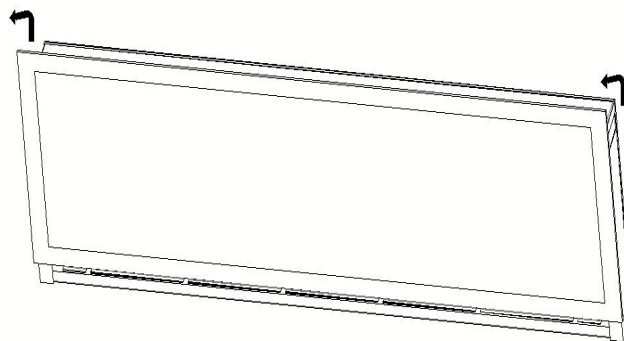
Krok A. Wybierz ścianę z suchego tynku w celu wykonania otworu pod kominek. Odpowiednie wymiary otworu należy sprawdzić w poniższej tabeli. **Rysunek (A)**

Wymiary otworu		
Model	W	H
AV-WM92PRI-S AV-WM105PRI-B	35.1" (89.2cm)	15.78" (40.1cm)
AV-WM115PRI-S AV-WM128PRI-B	44" (112cm)	15.78" (40.1cm)
AV-WM127PRI-S AV-WM140PRI-B	50.6" (128.5cm)	15.78" (40.1cm)
AV-WM153PRI-S AV-WM166PRI-B	59" (150.1cm)	15.78" (40.1cm)
AV-WM165PRI-S AV-WM178PRI-B	64" (162.8cm)	15.78" (40.1cm)
AV-WM183PRI-S AV-WM196PRI-B	7.1" (180.6cm)	15.78" (40.1cm)

Krok B. Zamontuj trzy kołki rozporowe z każdej strony urządzenia, zgodnie z wymiarami przedstawionymi na rysunku. **Rysunek (B)**



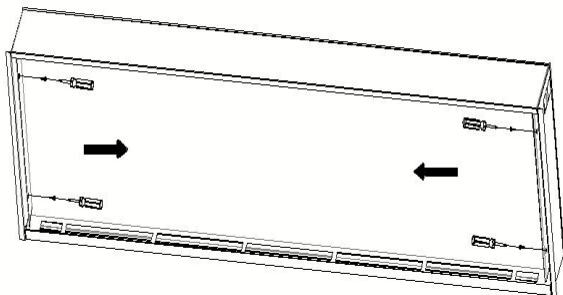
(C)



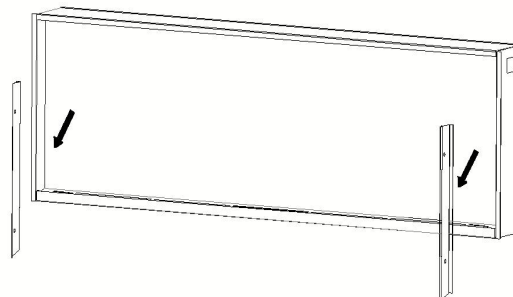
(D)

Krok C. Wyciągnij dwie śruby z obu stron szklanego panelu. **Rysunek (C)**

Krok D. Przy pomocy drugiej osoby zdejmij szklany panel z kominka. Połóż go na miękkim i czystym podłożu. **Rysunek (D)**

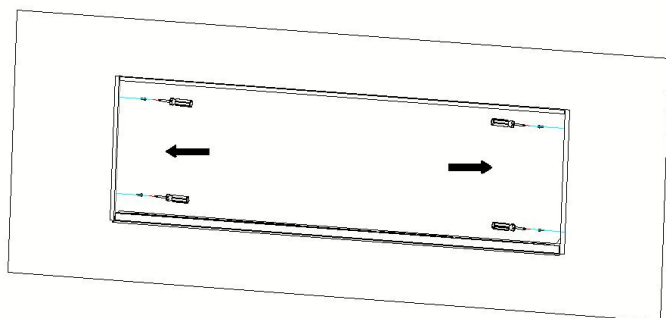


(E)

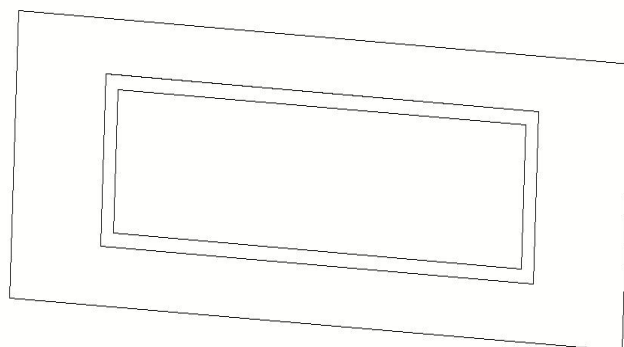


(F)

Krok E. Zdejmij dwie śruby z obu stron, a następnie zdejmij dwa metalowe uchwyty, zatrzymaj je, ponieważ będziesz musiał je wkręcić ponownie. **Rysunek (E, F)**



(G)



(H)

Krok F. Przy pomocy drugiej osoby umieść moduł kominka w otworze ściennym.

- Użyj 4 śrub (wyposażenie zestawu) aby zablokować urządzenie na ścianie z pomocą uchwytów bocznych **Rysunek (G)**
- Ponownie zainstaluj dwa wsporniki, a następnie umieść palenisko i ponownie zainstaluj szklany przód. **Rysunek (H)**

Montaż na ścianie

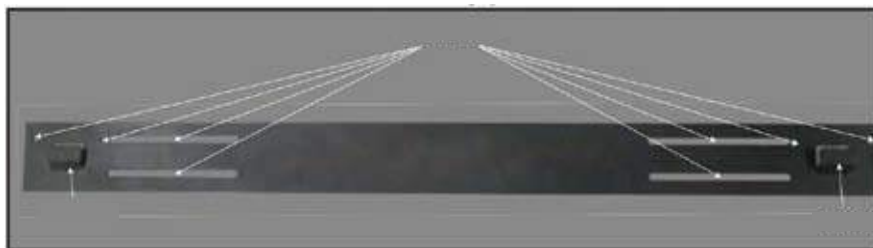
Z powodu różnych materiałów wykorzystywanych do budowy ścian, zdecydowanie zaleca się skonsultowanie z konstruktorem budynku, przed zamontowaniem urządzenia na ścianie.

A.Wybierz miejsce, które nie jest podatne na działanie wilgoci i znajduje się w odległości co najmniej 36" (914 mm) od materiałów łatwopalnych, jak zasłony, meble, pościel, dokumenty, itp.

B.Przy pomocy drugiej osoby, przystaw urządzenie do ściany w celu określenia docelowego miejsca montażu.

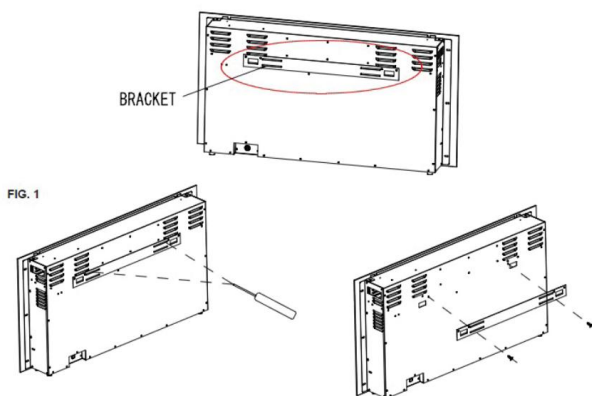
C.Ułóż urządzenie przodem w dół na miękkiej, nieściernej powierzchni. Zdemontuj wspornik z tylnej ścianki odkręcając niezbędne śruby, patrz Rysunek 1.

D.Zaznacz docelowe miejsce montażu, następnie zamontuj wspornik(i) na ścianie za pomocą dostarczonych wkrętów. Zaczepy wspornika MUSZĄ być skierowane w górę, a sam wspornik należy wypoziomować. **UWAGA: Zdecydowanie zaleca się, w miarę możliwości, przykręcenie wspornika (E) do profili ściennych. Jeżeli nie ma możliwości wykorzystania profili w ścianie, należy zastosować dostarczone kołki rozporowe w celu zamontowania wspornika na ścianie i jego odpowiedniego zabezpieczenia.**



E.Po zainstalowaniu ściennego wspornika montażowego, podnieś urządzenie z pomocą drugiej osoby i osadź dwa zaczepy wspornika w otworach na tylnej ściance urządzenia.

F.Sprawdź stabilność urządzenia, upewniając się że wspornik nie poluzuje się i nie odpadnie od ściany.

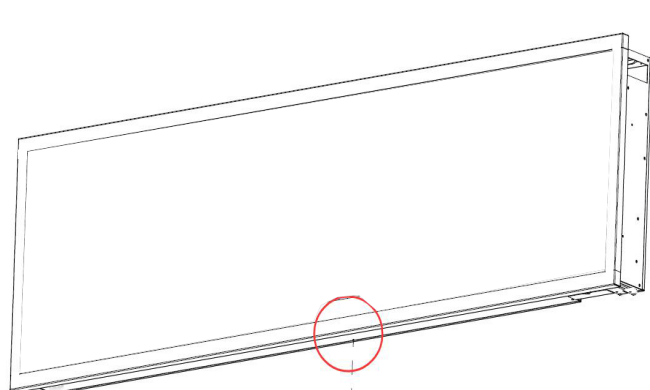


Ilustracja przedstawiająca wspornik ścienny

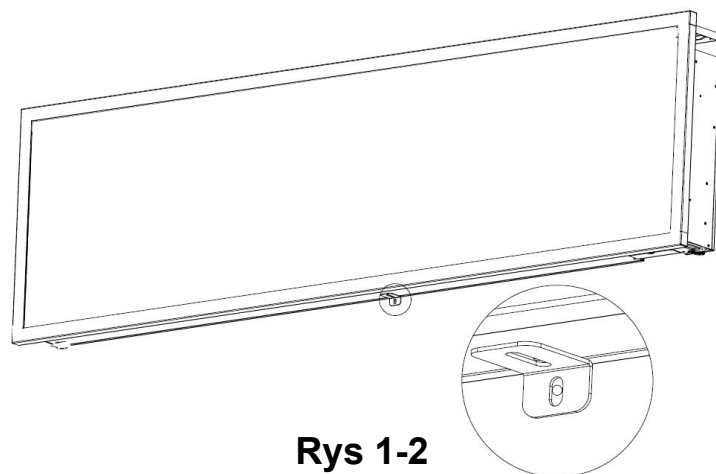
Montaż wspornika "L"

Po instalacji wsporników ściennych

A.Odkręć srebrną śrubę na spodzie urządzenia. (**Rys. 1-1**). Odłóż śrubę na bok.

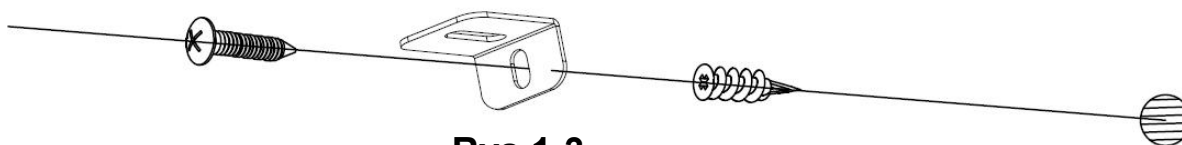


Rys 1-1



Rys 1-2

B.Za pomocą wcześniej wykręconej śruby przymocuj wspornik L (w zestawie) do dolnej części obudowy kominka.(**Rys 1-2**)



Rys 1-3

C.Zamontuj plastikową kotwę w ścianie, a następnie wkręć śrubę **B** (w zestawie) przez otwór wspornika L w ścianę, aby zabezpieczyć kominek przed zejściem z haków.(**Rys 1-3**)

Montaż zestawu polan / kryształków / kamyków

(**UWAGA:** wykonaj montaż zgodnie z zakupionym lub wybranym rodzajem paleniska)

- A. Przed przystąpieniem do montażu zestawu polan / kryształków / kamyków ozdobnych, urządzenie musi być zainstalowane w docelowym miejscu oraz należy zdjąć przednią szklaną szybę.
- B. Umieść tacę z tworzywa na przeznaczonym do tego miejscu wewnątrz kominka. Następnie ostrożnie rozłóż kryształki lub kamyki na spodzie tacy, z przodu urządzenia, jak pokazano na rysunku. Ułóż równą warstwę na całej długości. **Rysunek 1, Rysunek 2.**



Rysunek 1. (Kryształki)



Rysunek 2. (Kamyki)

Opcjonalny montaż polan

Ostrożnie umieść zestaw kłód w palenisku (patrz poniższa ilustracja) (Rysunek 3.)



Rysunek 3. (Polana)



Przed podłączeniem lub rozpoczęciem korzystania z urządzenia, przeczytaj ze zrozumieniem całą instrukcję użytkownika, z uwzględnieniem **wszystkich informacji dotyczących bezpieczeństwa**. Niezastosowanie się do tego wymogu może skutkować **porażeniem prądem, wzniesieniem ognia, poważnymi obrażeniami ciała lub śmiercią**.

Podłączenie do zasilania

Podłącz przewód zasilający do gniazdka AC 220-240 V (patrz **WAŻNE INSTRUKCJE BEZPIECZEŃSTWA** na **stronach 2 i 3**). Upewnij się, że gniazdko jest w dobrym stanie technicznym i wtyczka nie jest luźna. **NIGDY** nie przekraczaj dopuszczalnego natężenia prądu dla obwodu. **NIE** podłączaj innych urządzeń do tego samego obwodu.

Sposoby obsługi

Ten kominek elektryczny może być obsługiwany **WYŁĄCZNIE PRZEZ PILOT**.





Przed przystąpieniem do obsługi, zapoznaj się z **WAŻNYMI INSTRUKCJAMI BEZPIECZEŃSTWA** na **stronach 2 i 3** i zastosuj się do nich.



Pilot zdalnego sterowania

Obsługa pilota


PRZYCISK	FUNKCJA	DZIAŁANIE I SYGNALIZACJA
 POWER	<p>WŁ.: Aktywuje funkcje panelu sterowania i pilota. Załącza efekt płomienia.</p> <p>WYŁ.: Blokuje funkcje panelu sterowania i pilota. Wyłącza efekt płomienia.</p>	<ol style="list-style-type: none"> Naciśnij raz: Kontrolka zaświeci się. Załączenie zasilania. Wszystkie funkcje aktywne. Naciśnij ponownie: Efekt płomienia wyłączony. Urządzenie w trybie oczekiwania. Wszystkie funkcje nieaktywne.
 SPEED	<p>Szybkość efektu: Zmiana szybkości efektu płomienia. Są 3 poziomy szybkości: 01 (wolny), 02 (średni), 03 (szybki), 04 (najszybszy).</p>	<ol style="list-style-type: none"> Naciśnij raz. Kontrolka zaświeci się. Następuje zmiana szybkości Naciśnij ponownie aż do uzyskania żądanego ustawienia. Domyślnie 02.

 <p>FLAME COLOR</p>	<p>Przycisk KOLORU: Naciśnij przycisk KOLORU.</p> <p>UWAGA: Naciśnij przycisk KOLORU, aby zmienić kolor płomienia. Naciśnij przycisk KOLORU ponownie, aby wrócić do poprzedniego koloru.</p> <p>UWAGA: Naciśnij przycisk KOLORU, aby zmienić kolor płomienia. Naciśnij przycisk KOLORU ponownie, aby wrócić do poprzedniego koloru.</p>	<p>Naciśnij raz: Naciśnij przycisk KOLORU, aby zmienić kolor płomienia.</p> <p>Naciskaj ponownie: Naciśnij przycisk KOLORU ponownie, aby wrócić do poprzedniego koloru. Dostępne 3 kolory.</p>
 <p>FLAME BRIGHTNESS</p>	<p>Przycisk PŁOMIENIA: Naciśnij przycisk PŁOMIENIA, aby zmienić jasność płomienia.</p> <p>UWAGA: Naciśnij przycisk PŁOMIENIA, aby zmienić jasność płomienia. Naciśnij przycisk PŁOMIENIA ponownie, aby wrócić do poprzedniej jasności.</p>	<ol style="list-style-type: none"> Naciśnij raz: Naciśnij przycisk PŁOMIENIA, aby zmienić jasność płomienia. Naciskaj ponownie: Naciśnij przycisk PŁOMIENIA ponownie, aby wrócić do poprzedniej jasności.
 <p>EMBER LIGHTS</p>	<p>Przycisk podświetlenia polan: Sprawia, że kolor na dole efektu się zmienia.</p> <p>UWAGA: Efekt koloru pozostaje aktywny do momentu naciśnięcia przycisku zasilania.</p> <p>UWAGA: Niniejszy kominek posiada funkcję zapamiętywania ustawień podświetlenia.</p>	<ol style="list-style-type: none"> Naciśnij raz. Zmiana koloru podświetlenia. Naciskaj ponownie aż do uzyskaniażądanego ustawienia. Dostępnych 10 kolorów. Cykl automatyczny: Po naciśnięciu 11 razy, kolory podświetlenia będą zmieniać się automatycznie (UWAGA: zmiana kolorów trwa 15 sekund.)
 <p>EMBER BRIGHTNESS</p>	<p>Jasność podświetlenia: Zmiana jasności podświetlenia.</p> <p>UWAGA: Jasność podświetlenia pozostają aktywna do momentu naciśnięcia przycisku zasilania.</p>	<ol style="list-style-type: none"> Naciśnij raz. Zmiana jasności podświetlenia. Naciskaj ponownie aż do uzyskaniażądanego ustawienia. Dostępnych 5 poziomów.

UWAGA Aby usprawnić działanie, skieruj pilota na przód kominka. **NIE naciskaj przycisków za szybko.** Oczekaj chwilę aż urządzenie zareaguje na poszczególne komendy.

Informacja o bateriach pilota

- Pilot zasilany jest jedną baterią CR2025 (**dołączona**)

 **NIGDY** nie należy wrzucać baterii do **ognia**. Postępowanie niezgodne z tym wymogiem może grozić **wybuchem**. Zużyte baterie należy wrzucać do specjalnie oznakowanych pojemników lub przekazać do Punktu Selektywnej Zbiórki Odpadów Komunalnych.

Czyszczenie i konserwacja

Czyszczenie



Przed przystąpieniem do czyszczenia, konserwacji lub przenoszenia kominka, należy **ZAWSZE wyłączać** nagrzewnicę i **odłączać przewód zasilający z gniazdka**. Niezastosowanie się do tego wymogu może skutkować **porażeniem prądem, wzniesieniem ognia lub obrażeniami ciała**.



NIGDY nie zanurzaj urządzenia w wodzie ani nie spryskuj wodą. Takie postępowanie może skutkować **porażeniem prądem, wzniesieniem ognia lub obrażeniami ciała**.

Elementy metalowe:

- Polerować suchą ściereczką, delikatnie zwilżoną w preparacie czyszczącym na bazie olejków cytrusowych.
- **NIE** używać środków do polerowania miedzi lub domowych środków czyszczących, ponieważ produkty te uszkodzą metalowe wykończenie.

Elementy szklane:

- Stosować wysokiej jakości środek do mycia powierzchni szklanych, rozpylany na ściereczkę lub ręcznik. Osuszyć dokładnie ręcznikiem papierowym lub niestrzępiącą się ściereczką.
- **NIGDY** nie używać ściernych środków czyszczących, aerozoli lub innych produktów mogących zarysować powierzchnię.

Kratki wentylacyjne:

- Usunąć kurz i brud z nagrzewnicy i powierzchni kratki za pomocą odkurzacza lub ściereczki do kurzu.

Elementy z tworzywa:

- Przetrzeć delikatnie za pomocą ściereczki, lekko nawilżonej łagodnym roztworem płynu do naczyń i ciepłej wody.
- **NIGDY** nie używać ściernych środków czyszczących, aerozoli lub innych produktów mogących zarysować powierzchnię.

Konserwacja



Ryzyko porażenia prądem! NIE OTWIERAJ żadnych paneli! Urządzenie nie zawiera części przeznaczonych do samodzielnej naprawy!



Przed przystąpieniem do czyszczenia, konserwacji lub przenoszenia kominka, należy **ZAWSZE wyłączać** nagrzewnicę i **odłączyć przewód zasilający z gniazdka**. Niezastosowanie się do tego wymogu może skutkować **porażeniem prądem, wzniesieniem ognia lub obrażeniami ciała**.

Elementy elektryczne i ruchome:

- Elementy elektryczne są zintegrowane w urządzeniu i nie są mogą być samodzielnie naprawiane.

Przechowywanie:

- Nieużywane urządzenie należy przechowywać w czystym, suchym miejscu.



OSTRZEŻENIE! Serwisowanie części wewnętrznych lub elektrycznych **NIE POWINNO** być wykonywane przez konsumenta. Nie naprawiaj urządzenia samodzielnie.



Dyrektywa WEEE:

Znaczenie przekreślonego kosza na kółkach:

Nie wyrzucaj urządzeń elektrycznych jako nieposortowanych odpadów komunalnych, używaj oddzielnych punktów zbiórki. Skontaktuj się z lokalnymi władzami, aby uzyskać informacje na temat dostępnych systemów zbiórki. Jeśli urządzenia elektryczne zostaną zutylizowane na wysypiskach lub wysypiskach, niebezpieczne substancje mogą przedostać się do wód gruntowych i dostać się do łańcucha pokarmowego, powodując szkody dla zdrowia i dobrego samopoczucia.

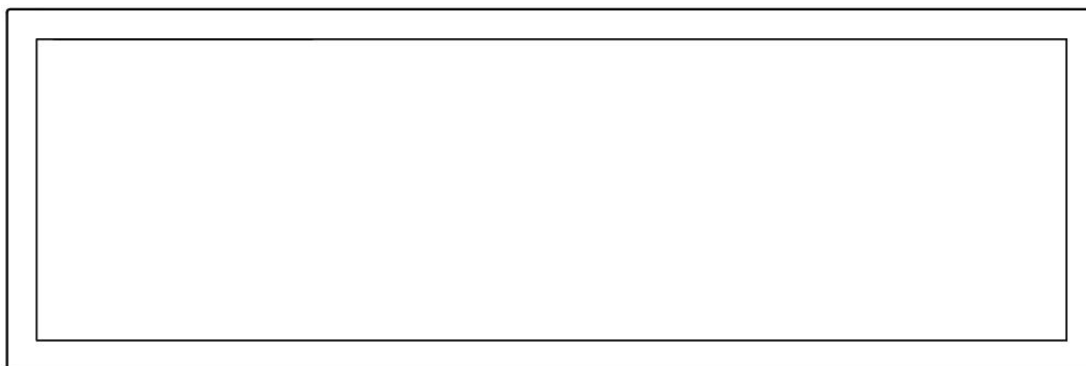
Podczas wymiany starych urządzeń na nowe, sprzedawca jest prawnie zobowiązany do nieodpłatnego odebrania starego urządzenia do likwidacji.

ELEKTRISCHER WANDKAMIN - KEINE HEIZUNG

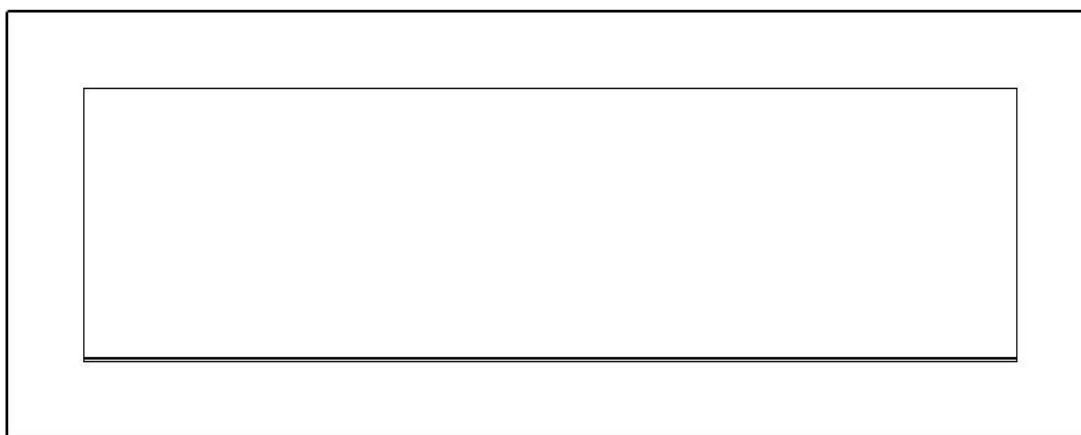
Model# : ■ AV-WM92PRI-S ■ AV-WM115PRI-S ■ AV-WM127PRI-S
■ AV-WM153PRI-S ■ AV-WM165PRI-S ■ AV-WM183PRI-S

Model# : ■ AV-WM105PRI-B ■ AV-WM128PRI-B ■ AV-WM140PRI-B
■ AV-WM166PRI-B ■ AV-WM178PRI-B

Benutzerhandbuch



Dünn an der Wand montierter Rahmen / Elektrischer Einbaukamin



Großer an der Wand montierter Rahmen / Elektrischer Einbaukamin

AC 220V-240V 50Hz

⚠️ WARNUNG

Bevor Sie das Gerät anschließen oder benutzen, lesen Sie genau das gesamte Benutzerhandbuch, einschließlich aller Sicherheitshinweise. Andernfalls kann es zu Bränden, Stromschlägen oder schweren Verletzungen kommen.

WICHTIGE SICHERHEITSHINWEISE:

WARNUNG

Bei der Verwendung von elektrischen Geräten sind die grundlegenden Vorsichtsmaßnahmen zu beachten, um das Risiko von Bränden, elektrischen Schlägen und Verletzungen zu verringern, und folgende Punkte zu beachten:

- Lesen Sie alle Anweisungen, bevor Sie dieses Gerät verwenden.
- Trennen Sie das Gerät bei Nichtgebrauch vom Stromnetz.
- Schalten Sie das Gerät nicht ein, wenn das Netzkabel oder der Stecker beschädigt ist oder wenn das Gerät gestört ist, aus der Höhe fällt. Senden Sie das Gerät zur Inspektion, Einstellung oder Reparatur zum autorisierten Service.
- Das Gerät ist nur zum Gebrauch im Innenbereich bestimmt.
- Verwenden Sie das Gerät nicht in Badezimmern, Wäschereien oder ähnlichen Räumen. Stellen Sie das Gerät niemals an einen Ort, wo es in eine Badewanne oder einen anderen Wasserbehälter fallen kann.
- Verlegen Sie das Netzkabel nicht unter einem Teppichboden. Decken Sie das Netzkabel nicht mit Teppichen, Laufteppichen oder anderen Abdeckungen ab. Verlegen Sie das Kabel weg von häufig verwendeten Bereichen und vermeiden Sie Stolperfallen.
- Um das Gerät vom Stromnetz zu trennen, schalten Sie alle Leuchten auf "OFF" und ziehen Sie dann den Netzstecker aus der Steckdose.
- Verwenden Sie den Kamin nur gemäß dieser Anleitung. Jede andere Verwendung, die vom Hersteller nicht empfohlen wird, kann zu Feuer, Stromschlag oder Verletzungen führen.
- Die Lampen dürfen erst nach dem Trennen des Kamins von der Stromversorgung gewechselt werden.
- Dieses Gerät ist nicht für die Verwendung durch Personen (einschließlich Kinder) mit eingeschränkten körperlichen, geistigen oder sensorischen Fähigkeiten oder mangelnden angemessenen Kenntnissen oder Erfahrungen bestimmt, es sei denn, sie werden von einer für ihre Sicherheit verantwortlichen Person beaufsichtigt oder unterwiesen. Achten Sie darauf, dass Kinder nicht mit dem Gerät spielen.

Vorbereitung




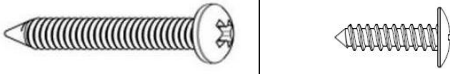
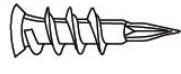
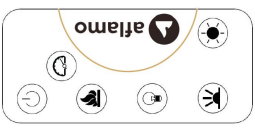

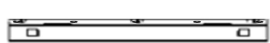
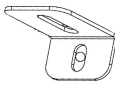

Dieses Produkt ist mit einer **Glasplatte** ausgestattet! Seien Sie beim Umgang mit **Glas** immer besonders vorsichtig. Andernfalls kann es zu Personen- oder Sachschäden kommen.

Entfernen Sie alle Komponenten und Befestigungselemente aus dem Karton und legen Sie sie auf einen sauberen, weichen und trockenen Untergrund. Überprüfen Sie die Stückliste, um sicherzugehen, dass nichts fehlt. Entsorgen Sie das Verpackungsmaterial ordnungsgemäß. Wenn möglich, geben Sie Abfälle immer zur Wiederverwertung ab.

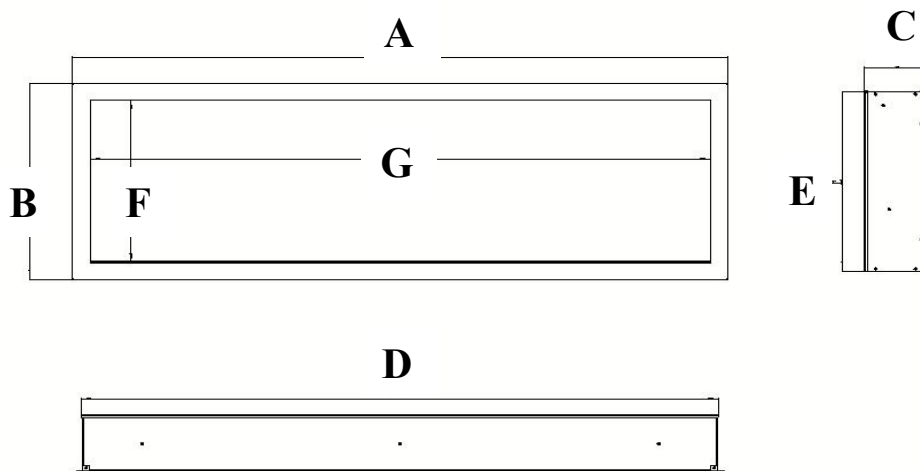
Folgende Werkzeuge werden benötigt (nicht im Lieferumfang enthalten):

Kreuzschlitzschraubendreher; Wasserwaage; Maß; Bohrer; Hammer.

Komponenten und Befestigungselemente

 <p>A – Kamin</p>	 <p>B – Holzschrauben</p>	 <p>C – Anker</p>
	 <p>Fernbedienung</p>	 <p>Glutbettstreifen aus Kunststoff</p>
	 <p>E - Wandhalterung Montiert auf der Rückseite des Gehäuses</p>	 <p>F- Befestigungswinkel</p>
		 <p>H - Holzscheite</p>

Spezifikation und Dimension



PRODUKTABMESSUNGEN

Modellnummer	A	B	C	D	E	F	G
AV-WM92PRI-S	36" 91.5cm	16.54" 42cm	5.04" 12.8cm	34.53" 87.7cm	15.2" 38.6cm	13.78" 35cm	33.27" 84.5cm
AV-WM115PRI-S	45" 114.3cm	16.54" 42cm	5.04" 12.8cm	43.51" 110.5cm	15.2" 38.6cm	13.78" 35cm	42.24" 107.3cm
AV-WM127PRI-S	50" 127CM	16.54" 42cm	5.04" 12.8cm	48.51" 123.2cm	15.2" 38.6cm	13.78" 35cm	47.24" 120cm
AV-WM153PRI-S	60" 152.4cm	16.54" 42cm	5.04" 12.8cm	58.51" 148.6cm	15.2" 38.6cm	13.78" 35cm	57.24" 145.4cm
AV-WM165PRI-S	65" 165cm	16.54" 42cm	5.04" 12.8cm	63.51" 161.3cm	15.2" 38.6cm	13.78" 35cm	62.2" 158cm
AV-WM183PRI-S	72" 182.8cm	16.54" 42cm	5.04" 12.8cm	70.52" 179.1cm	15.2" 38.6cm	13.78" 35cm	69.21" 175.8cm

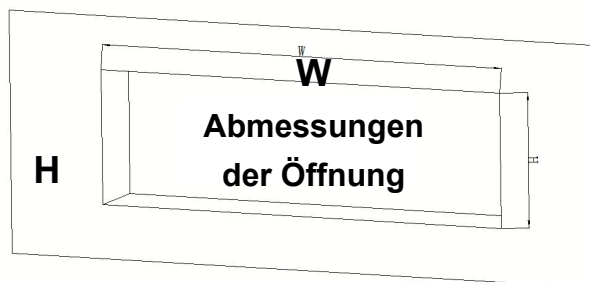
PRODUKTABMESSUNGEN

Modellnummer	A	B	C	D	E	F	G
AV-WM105PRI-B	41.14" 104.5cm	21.65" 55cm	5.04" 12.8cm	34.53" 87.7cm	15.2" 38.6cm	13.78" 35cm	33.27" 84.5cm
AV-WM128PRI-B	50.12" 127.3cm	21.65" 55cm	5.04" 12.8cm	43.51" 110.5cm	15.2" 38.6cm	13.78" 35cm	42.24" 107.3cm
AV-WM140PRI-B	55.12" 140CM	21.65" 55cm	5.04" 12.8cm	48.51" 123.2cm	15.2" 38.6cm	13.78" 35cm	47.24" 120cm
AV-WM166PRI-B	65.12" 165.4cm	21.65" 55cm	5.04" 12.8cm	58.51" 148.6cm	15.2" 38.6cm	13.78" 35cm	57.24" 145.4cm
AV-WM178PRI-B	70.08" 178cm	21.65" 55cm	5.04" 12.8cm	63.51" 161.3cm	15.2" 38.6cm	13.78" 35cm	62.2" 158cm
AV-WM196PRI-B	77.09" 195.8cm	21.65" 55cm	5.04" 12.8cm	70.52" 179.1cm	15.2" 38.6cm	13.78" 35cm	69.21" 175.8cm

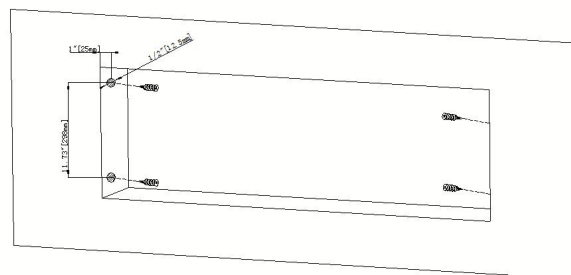
Montage und Installation

Achtung: Installieren Sie den Kamin so, dass er im Fehlerfall zu Servicezwecken von der Wand entfernt werden kann.

MONTAGE IM EINBAUSYSTEM



(A)

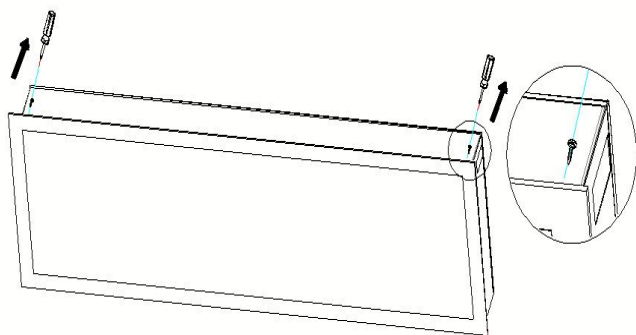


(B)

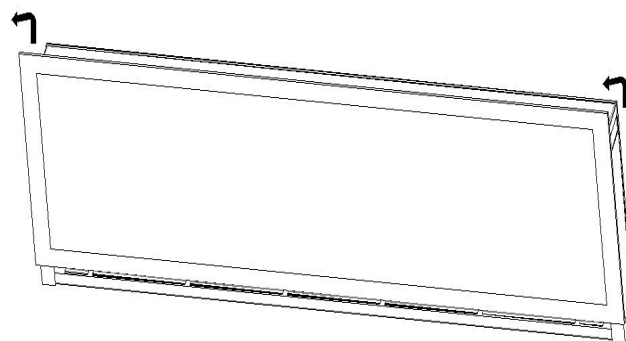
Schritt A. Trockenputzwand für die Öffnung für den Kamin wählen. Die Abmessungen der Öffnung sind der folgenden Tabelle zu entnehmen. **Abbildung (A)**

Abmessungen der Öffnung		
Modellnummer	W	H
AV-WM92PRI-S AV-WM105PRI-B	35.1" (89.2cm)	15.78" (40.1cm)
AV-WM115PRI-S AV-WM128PRI-B	44" (112cm)	15.78" (40.1cm)
AV-WM127PRI-S AV-WM140PRI-B	50.6" (128.5cm)	15.78" (40.1cm)
AV-WM153PRI-S AV-WM166PRI-B	59" (150.1cm)	15.78" (40.1cm)
AV-WM165PRI-S AV-WM178PRI-B	64" (162.8cm)	15.78" (40.1cm)
AV-WM183PRI-S AV-WM196PRI-B	71" (180.6cm)	15.78" (40.1cm)

Schritt B. Drei Dübel auf jeder Seite des Gerätes gemäß den in der Abbildung gezeigten Abmessungen montieren. **Abbildung (B)**



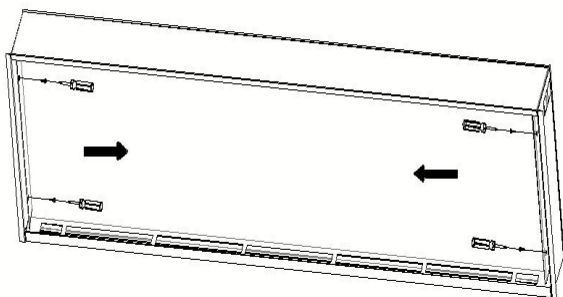
(C)



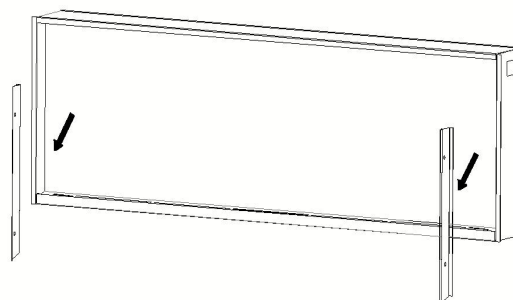
(D)

Schritt C. Zwei Schrauben von beiden Seiten der Glasplatte entfernen. **Abbildung (C)**

Schritt D. Mit Hilfe einer anderen Person die Glasplatte vom Kamin entfernen. Die Platte auf einen weichen und sauberen Untergrund legen. **Abbildung (D)**

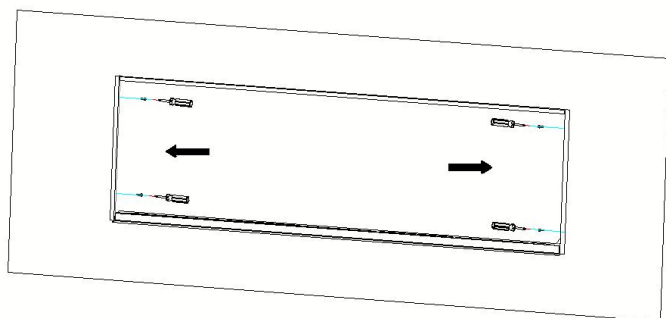


(E)

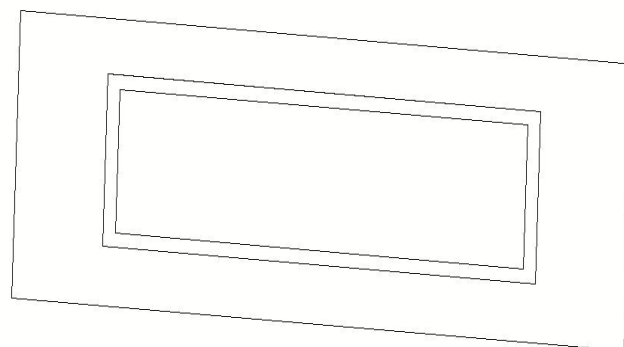


(F)

Schritte E. Die beiden Schrauben auf beiden Seiten und dann auch die beiden Metall-Montagehalterungen entfernen, diese beibehalten, da sie wieder einzuschrauben sind. **Abbildung (E, F)**



(G)



(H)

Schritt F. Das Kaminmodul in die Wandöffnung mit Hilfe einer zweiten Person setzen.

- 4 Schrauben (im Lieferumfang enthalten) verwenden, um das Gerät mit den seitlichen Halterungen an der Wand zu befestigen **Abbildung (G)**
- Montieren Sie die beiden Halterungen wieder, installieren Sie dann die Medien und montieren Sie die Glasfront. **Abb. (H).**

WANDMONTAGE

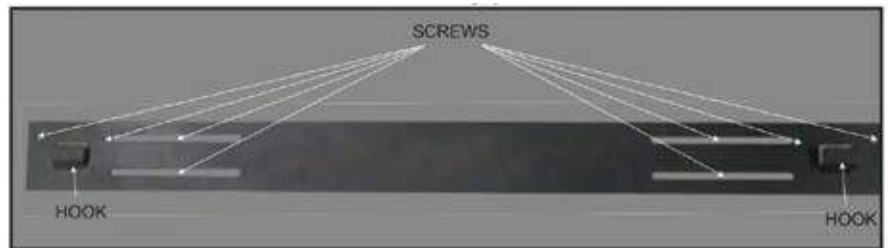
Aufgrund der vielen diversen Materialien, die an verschiedenen Wänden verwendet werden, ist es ratsam, vor der Installation dieses Gerätes an der Wand einen Fachmann zu konsultieren.

A. Wählen Sie einen Ort, der für Feuchtigkeit nicht anfällig ist und mindestens 100 cm von brennbaren Materialien wie Vorhängen, Möbeln, Bettwäsche, Papier usw. entfernt ist.

B. Um den endgültigen Standort zu bestimmen, benötigen Sie zwei Personen, die das Gerät halten.

C. Legen Sie das Gehäuse mit der Front auf eine weiche, nicht scheuernde Oberfläche. Entfernen Sie die Halterung an der Rückseite des Gerätes, indem Sie die Schrauben lösen, siehe Abbildung 1.

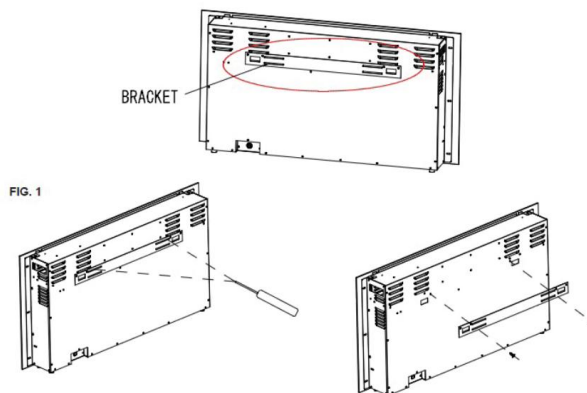
D. Markieren Sie die Position und befestigen Sie die Halterungen mit den mitgelieferten Schrauben an der Wand. Die Haken der Halterung MÜSSEN nach oben zeigen und die Halterung selbst muss eben sein.



ACHTUNG: Es wird dringend empfohlen, die Montagehalterung (E) nach Möglichkeit mit Dübeln zu verschrauben. Wenn Sie keine Wandschrauben verwenden können, stellen Sie sicher, dass die mitgelieferten Kunststoffanker zur Befestigung der Halterung an der Wand verwendet werden und die Halterung ordnungsgemäß befestigt ist.

E. Nach der Montage der Wandhalterung das Gerät mit Hilfe einer anderen Person anheben und die beiden Halterungshaken in die Öffnungen auf der Rückseite des Gerätes setzen.

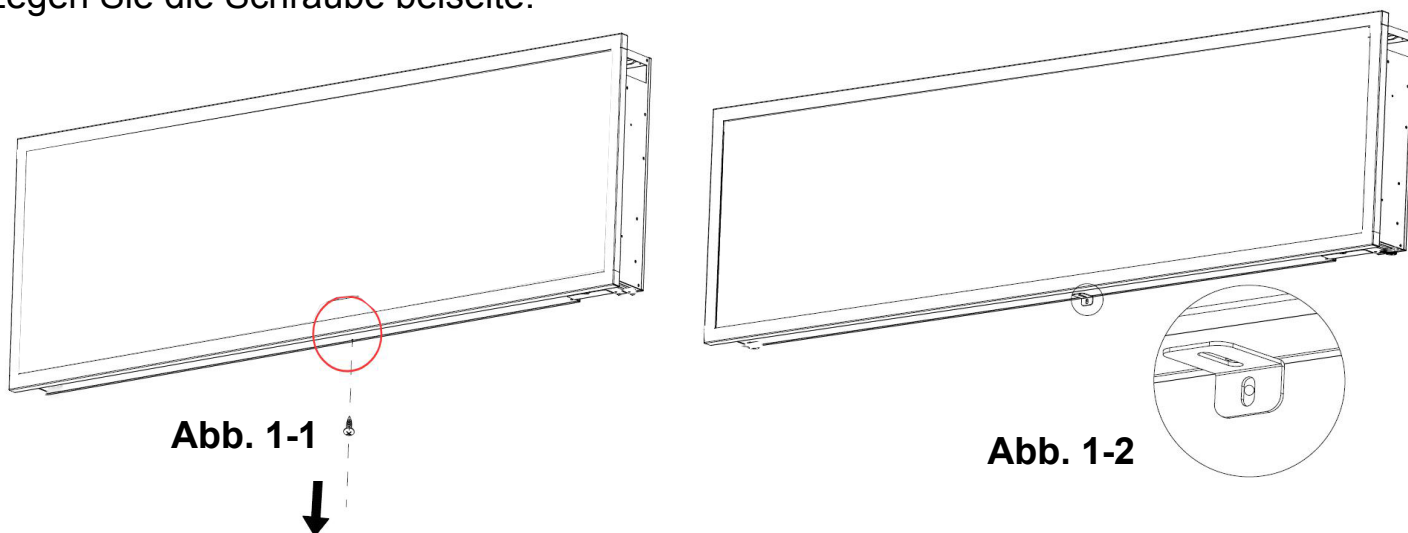
F. Überprüfen Sie die Stabilität des Gerätes, indem Sie sich vergewissern, dass die Halterung nicht aus der Wand rutscht.



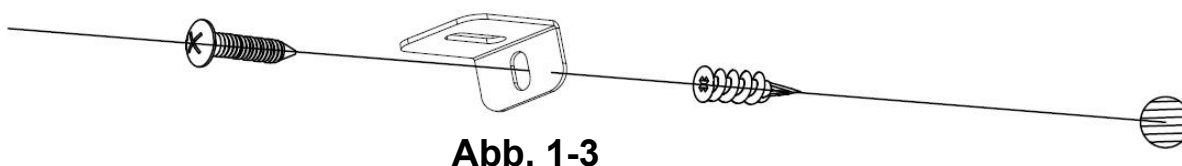
Montage der L-förmigen Halterung

Nach der Montage der Wandhalterung

A. Entfernen Sie die silberne Schraube an der Unterseite des Gerätes (**Abb. 1-1**). Legen Sie die Schraube beiseite.



B. Befestigen Sie mit der zuvor entfernten Schraube die L-förmige Halterung (im Lieferumfang enthalten) am Boden der Kaminbox (**Abb. 1-2**).



C. Setzen Sie den Kunststoffdübel in die trockene Wand ein und setzen Sie dann die Schraube **B** (mitgeliefert) in das Loch der L-förmigen Halterung in den Wandanker ein, um den Kamin gegen das Herausfallen aus den Haken zu sichern (**Abb. 1-3**).

Montage der Holzscheite / Kristallen / Dekor-Steine

(**HINWEIS:** Montieren Sie den Kamin entsprechend dem gekauften oder ausgewählten Kamineinsatz)

A. Vor der Montage der Holzscheite / Kristallen / Dekor-Steinen muss das Gerät an seinem Bestimmungsort installiert und die vordere Glasplatte entfernt werden.

B. Legen Sie den Glutbettstreifen aus Kunststoff vorsichtig auf den Schlitz, dann legen Sie die Kristall-/Kugelglimmerglut auf die Oberfläche des Glutbettes, wie abgebildet. Tragen Sie eine gleichmäßige Schicht von Seite zu Seite auf. **Abb. 1, Abb. 2.**



Abb. (Kristalle)



Abb. (Steine)

Optionale Installation des Log-Sets

Legen Sie das Log-Set vorsichtig auf den vorgesehenen Schlitz (siehe untenstehende Abbildung) (Abb. 3.).



Abb. 3. (Holzscheite)

Bedienung



Bevor Sie das Gerät anschließen oder in Betrieb nehmen, lesen Sie das gesamte Benutzerhandbuch genau durch, einschließlich aller Sicherheitshinweise. Andernfalls kann es zu Stromschlag, Feuer, schweren Verletzungen oder zum Tod kommen.

Stromanschluss

Schließen Sie das Netzkabel an eine 220-240-V-Steckdose an (siehe **WICHTIGE SICHERHEITSHINWEISE** auf Seiten 2 und 3). Vergewissern Sie sich, dass die Steckdose einwandfrei funktioniert und der Stecker nicht locker ist. Überschreiten Sie **NIEMALS** den zulässigen Strom für den Schaltkreis. Schließen Sie **KEINE** anderen Geräte an den gleichen Stromkreis an.

Bedienung

Dieser elektrische Kamin kann NUR über die FERNBEDIENUNG bedient werden.





Vor der Inbetriebnahme lesen Sie die **WICHTIGEN SICHERHEITSHINWEISE** auf **Seiten 2 und 3** und folgen Sie ihnen.



Fernbedienung

Bedienung der Fernsteuerung


TASTE	FUNKTION	BETRIEB UND SIGNALISIERUNG
 POWER	EIN: Aktiviert die Funktionen des Bedienfeldes und der Fernbedienung. Aktiviert den Flammeneffekt. AUS: Sperrt die Funktionen des Bedienfeldes und der Fernbedienung. Deaktiviert den Flammeneffekt.	<ol style="list-style-type: none"> Einmal drücken: Die Leuchte leuchtet auf. Die Spannung schaltet ein. Alle Funktionen aktiv. Noch einmal drücken: Flammeneffekt ausgeschaltet. Gerät im Stand-by-Modus. Alle Funktionen inaktiv.
 SPEED	Geschwindigkeit des Effekts: Änderung der Geschwindigkeit des Flammeneffekts. Es gibt 3 Stufen der Geschwindigkeit: 01 (langsam), 02 (mittel schnell), 03 (schnell), 04 (am schnellsten).	<ol style="list-style-type: none"> Einmal drücken. Die Leuchte leuchtet auf. Die Geschwindigkeit wird geändert Nochmals drücken bis die gewünschte Einstellung erreicht ist. Standardwert 02.

 FLAME COLOR	<p>FARB-Taste: Änderung der Farbe des Flammeneffekts.</p> <p>ACHTUNG: Der Farbeffekt bleibt aktiv, bis die Power-Taste gedrückt wird. Der Farbeffekt für die Flamme muss eingeschaltet sein, um das Heizelement zu starten.</p>	<ol style="list-style-type: none"> 1. Einmal drücken: Änderung der Flammenfarbe. 2. Nochmals drücken, bis die gewünschte Einstellung erreicht ist. Drei Farben erhältlich.
 FLAME BRIGHTNESS	<p>Flammen-TASTE: Einstellung der Flammenhelligkeit.</p> <p>ACHTUNG: Der Flammeneffekt bleibt an, bis die Power-Taste gedrückt wird. Der Flammeneffekt muss eingeschaltet sein, um das Heizelement zu starten.</p>	<ol style="list-style-type: none"> 1. Einmal drücken: Änderung der Helligkeit des Flammeneffekts. 2. Nochmals drücken, bis die gewünschte Einstellung erreicht ist.
 EMBER LIGHTS	<p>Beleuchtungstaste für Holzscheite Lässt die Farbe am unteren Rand des Effekts ändern.</p> <p>ACHTUNG: Der Farbeffekt bleibt aktiv, bis die Power-Taste gedrückt wird.</p> <p>ACHTUNG: Dieser Kamin kann die Einstellungen der Beleuchtung speichern..</p>	<ol style="list-style-type: none"> 1. Einmal drücken. Änderung der Beleuchtungsfarbe. 2. Nochmals drücken, bis die gewünschte Einstellung erreicht ist. Erhältlich in 10 Farben. 3. Automatischer Zyklus: 11 mal drücken und die Farben der Beleuchtung ändern sich automatisch HINWEIS: Die Farben ändern sich alle 15 Sekunden.)
 EMBER BRIGHTNESS	<p>Helligkeit der Beleuchtung Änderung der Beleuchtung.</p> <p>ACHTUNG: Die Helligkeit der Beleuchtung bleibt aktiv, bis die Power-Taste gedrückt wird.</p>	<ol style="list-style-type: none"> 1. Einmal drücken. Änderung der Beleuchtung. 2. Weiterhin drücken, bis die gewünschte Einstellung erreicht ist. Erhältlich in 5 Stufen.

ACHTUNG Um die Leistung zu verbessern, die Fernbedienung auf die Vorderseite des Kamins richten. **Die Tasten NICHT zu schnell drücken.** Einen Moment warten, bis das Gerät auf die Befehle reagiert.

Informationen zu Batterien der Fernbedienung

- Die Fernbedienung verwendet eine CR2025 Batterie (im Lieferumfang enthalten).

 Entsorgen Sie die Batterien NIEMALS ins Feuer. Andernfalls kann es zu einer Explosion kommen. Altbatterien sollten in speziell gekennzeichneten Behältern entsorgt oder an die Sammelstelle für kommunale Abfälle abgegeben werden.

Reinigung und Wartung

Reinigung



Vor Reinigung, Wartung oder Umstellung des Kamins, das Heizelement **IMMER ausschalten** und den **Netzstecker aus der Steckdose ziehen**. Andernfalls kann es zu Stromschlag, Feuer oder Verletzungen kommen.



Das Gerät NIEMALS in Wasser tauchen oder mit Wasser besprühen. Andernfalls kann es zu Stromschlag, Feuer oder Verletzungen kommen.

Metallteile:

- Mit trockenem Tuch, sanft mit einem Reiniger auf Zitrusölbasis angefeuchtet, polieren.
- **KEINE** Messingpolier- oder Haushaltsreiniger verwenden, da diese die Metalloberfläche beschädigen könnten.

Glaselemente:

- Hochwertigen Glasflächenreiniger verwenden. Den Reiniger auf ein Tuch oder Handtuch sprühen. Mit einem Papiertuch oder einem fusselfreien Tuch gründlich trocknen.
- **NIEMALS** scheuernde Reinigungsmittel, Aerosole oder andere Produkte verwenden, die die Oberfläche verkratzen können.

Lüftungsgitter:

- Staub und Schmutz aus dem Heizelement und Grillflächen mit einem Staubsauger oder Staubtuch entfernen.

Kunststoffelemente:

- Vorsichtig mit einem Tuch abwischen. Das Tuch mit einer milden Lösung aus Geschirrspülmittel und warmem Wasser leicht anfeuchten.
- **NIEMALS** scheuernde Reinigungsmittel, Aerosole oder andere Produkte verwenden, die die Oberfläche verkratzen können.

Wartung



Gefahr eines Stromschlags! KEINE Platten öffnen! Das Gerät enthält keine Teile zur Selbstreparatur!



Vor Reinigung, Wartung oder Umstellung des Kamins, das Heizelement **IMMER ausschalten** und den **Netzstecker aus der Steckdose ziehen**. Andernfalls kann es zu Stromschlag, Feuer oder Verletzungen kommen.

Elektrische und bewegliche Teile:

- Elektrische Komponenten sind im Gerät integriert und können selbst nicht repariert werden.

Lagerung:

Bewahren Sie das Gerät bei Nichtgebrauch an einem sauberen, trockenen Ort auf.



WARNUNG! Interne elektrische Komponenten sind **NICHT** zur Selbstreparatur durch den Benutzer bestimmt.



WEEE:

Entsorgung und Recycling:

Entsorgen Sie dieses Gerät nicht in den gewöhnlichen, unsortierten Hausmüll. Verwenden Sie spezielle Sammelstellen. Wenden Sie sich an Ihre örtlichen Behörden, um Informationen über die verfügbaren Sammelsysteme zu erhalten. Wenn Sie Elektrogeräte auf Deponien oder Abfallplätzen entsorgen, können gefährliche Stoffe in das Grundwasser und die Nahrungskette gelangen, was sich negativ auf Ihre Gesundheit und Ihr Wohlbefinden auswirken kann.

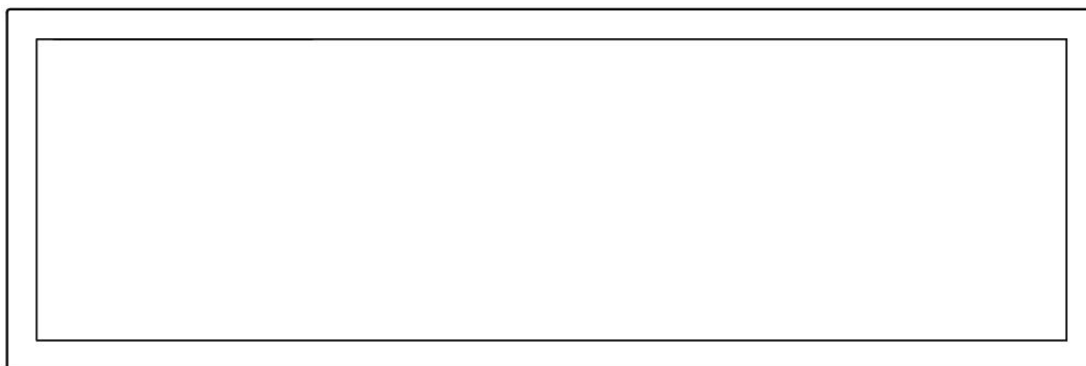
Wenn Sie alte durch neue Geräte ersetzen, ist der Händler gesetzlich verpflichtet, Ihre alten Geräte zur Entsorgung kostenlos zurückzunehmen.

CAMINETTO ELETTRICO A MURO - SENZA RISCALDAMENTO

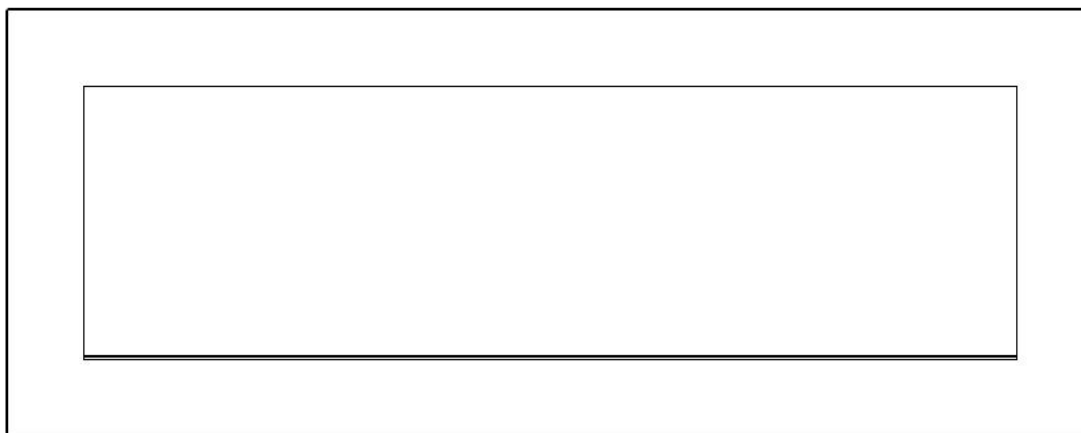
Model# : ■ AV-WM92PRI-S ■ AV-WM115PRI-S ■ AV-WM127PRI-S
■ AV-WM153PRI-S ■ AV-WM165PRI-S ■ AV-WM183PRI-S

Model# : ■ AV-WM105PRI-B ■ AV-WM128PRI-B ■ AV-WM140PRI-B
■ AV-WM166PRI-B ■ AV-WM178PRI-B

MANUALE UTENTE



Telaio da Parete Sottile Montato / Camino elettrico da incasso



Telaio da Parete Grande Montato / Camino elettrico da incasso

AC 220V-240V 50Hz

 **AVVERTENZA**

Prima di collegare o utilizzare l'apparecchio, **leggere attentamente** il manuale utente, tenendo conto di **tutte le informazioni relative alla sicurezza**. La mancata osservanza di tale prescrizione può causare **un incendio, una folgorazione o gravi lesioni personali**.

IMPORTANTI ISTRUZIONI DI SICUREZZA:

AVVERTENZA:

Durante l'uso di apparecchi elettrici, occorre rispettare sempre le misure precauzionali di base per ridurre il rischio di un incendio, una folgorazione e lesioni personali, tenendo conto delle seguenti indicazioni:

- Prima di utilizzare l'apparecchio, leggere tutte le istruzioni.
- L'apparecchio non utilizzato deve essere scollegato dall'alimentazione.
- Non avviare l'apparecchio con la condotta di alimentazione o spina danneggiate, o nel caso di guasto all'apparecchio, di caduta dall'altezza. Bisogna portare l'apparecchio all'assistenza autorizzata per un controllo, una regolazione elettrica, meccanica o una riparazione.
- L'apparecchio è destinato esclusivamente all'uso all'interno degli edifici.
- Non utilizzare l'apparecchio in bagni, lavanderie e ambienti simili. Non collocare mai l'apparecchio nei luoghi con rischio di caduta nella vasca da bagno o in un altro serbatoio d'acqua.
- Non far passare il cavo di alimentazione sotto il moquette. Non coprire il cavo con tappeti, tappetini o altri materiali per rivestimento di pavimenti. Mantenere il percorso dei cavi lontano dai luoghi spesso frequentati e in modo da non far inciampare.
- Per scollegare l'apparecchio, disattivare tutte le spie in modalità "OFF" e poi togliere la spina dalla presa.
- Utilizzare il camminetto solo in modo presentato nel presente manuale. Ogni altro uso non raccomandato dal produttore, potrebbe causare un incendio, una folgorazione o lesioni personali.
- Sostituire le lampade esclusivamente dopo aver scollegato il camminetto dall'alimentazione.
- L'apparecchio non è destinato all'uso da parte di persone (compreso bambini) con ridotte capacità fisiche, mentali o sensoriali, o che non possiedono un'adeguata conoscenza o esperienza, a meno che non si trovino sotto la supervisione di una persona responsabile della loro sicurezza o sono stati istruiti da essa in materia di uso dell'apparecchio. Bisogna assicurare che i bambini non giochino con l'apparecchio.

Preparazione




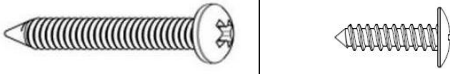
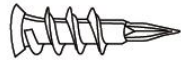
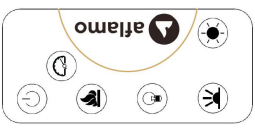

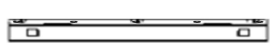
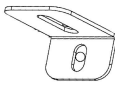
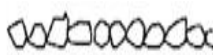
Il prodotto è dotato di **pannello in vetro!** Bisogna prestare sempre **particolare attenzione** durante lo spostamento del **vetro**. Mancato rispetto di tale raccomandazione può causare lesioni personali o danni materiali.

Togliere tutti i componenti ed gli elementi di montaggio dal cartone e metterli sulla superficie pulita, morbida e asciutta. Controllare l'elenco delle parti per assicurarsi che non manchi niente. Materiali di imballaggio devono essere smaltiti in modo adeguato.

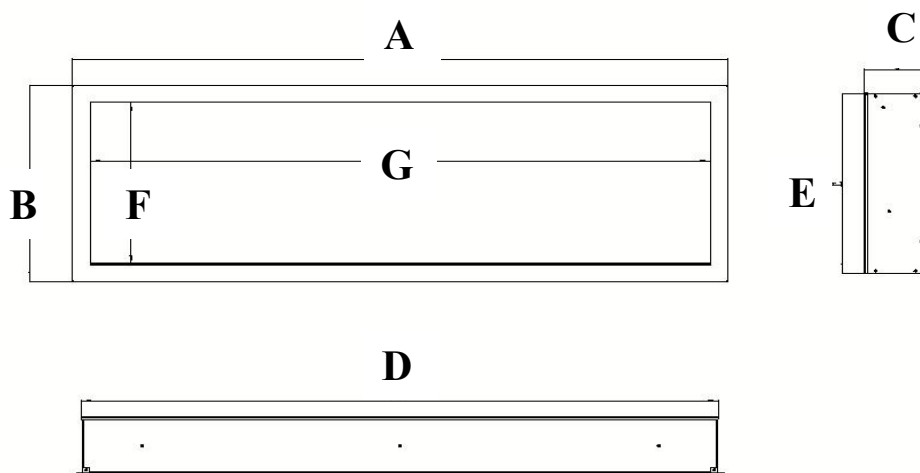
Laddove possibile, i rifiuti devono essere avviati al riciclaggio.

Saranno indispensabili i seguenti attrezzi (non sono in dotazione): cacciavite a croce; livella; metro; trapano; martello.

Componenti ed elementi di montaggio

 <p>A – Camminetto</p>	 <p>B – Viti per legno</p>		 <p>C – ulloni di ancoraggio</p>
	 <p>Telecomando</p>		 <p>Letto di braci in plastica</p>
	 <p>E - Supporto da parete Da montare nella parte posteriore dell'alloggiamento</p>	 <p>F - Supporto di montaggio "L"</p>	 <p>G - Cristalli/Sassolini decorativi</p>

Specifiche e dimensioni



DIMENSIONI DEL PRODOTTO

Numero del modello	A	B	C	D	E	F	G
AV-WM92PRI-S	36" 91.5cm	16.54" 42cm	5.04" 12.8cm	34.53" 87.7cm	15.2" 38.6cm	13.78" 35cm	33.27" 84.5cm
AV-WM115PRI-S	45" 114.3cm	16.54" 42cm	5.04" 12.8cm	43.51" 110.5cm	15.2" 38.6cm	13.78" 35cm	42.24" 107.3cm
AV-WM127PRI-S	50" 127CM	16.54" 42cm	5.04" 12.8cm	48.51" 123.2cm	15.2" 38.6cm	13.78" 35cm	47.24" 120cm
AV-WM153PRI-S	60" 152.4cm	16.54" 42cm	5.04" 12.8cm	58.51" 148.6cm	15.2" 38.6cm	13.78" 35cm	57.24" 145.4cm
AV-WM165PRI-S	65" 165cm	16.54" 42cm	5.04" 12.8cm	63.51" 161.3cm	15.2" 38.6cm	13.78" 35cm	62.2" 158cm
AV-WM183PRI-S	72" 182.8cm	16.54" 42cm	5.04" 12.8cm	70.52" 179.1cm	15.2" 38.6cm	13.78" 35cm	69.21" 175.8cm

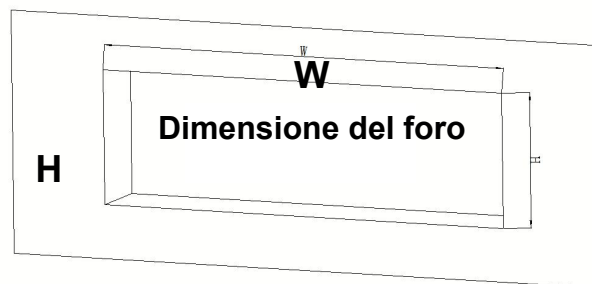
DIMENSIONI DEL PRODOTTO

Numero del modello	A	B	C	D	E	F	G
AV-WM105PRI-B	41.14" 104.5cm	21.65" 55cm	5.04" 12.8cm	34.53" 87.7cm	15.2" 38.6cm	13.78" 35cm	33.27" 84.5cm
AV-WM128PRI-B	50.12" 127.3cm	21.65" 55cm	5.04" 12.8cm	43.51" 110.5cm	15.2" 38.6cm	13.78" 35cm	42.24" 107.3cm
AV-WM140PRI-B	55.12" 140CM	21.65" 55cm	5.04" 12.8cm	48.51" 123.2cm	15.2" 38.6cm	13.78" 35cm	47.24" 120cm
AV-WM166PRI-B	65.12" 165.4cm	21.65" 55cm	5.04" 12.8cm	58.51" 148.6cm	15.2" 38.6cm	13.78" 35cm	57.24" 145.4cm
AV-WM178PRI-B	70.08" 178cm	21.65" 55cm	5.04" 12.8cm	63.51" 161.3cm	15.2" 38.6cm	13.78" 35cm	62.2" 158cm
AV-WM196PRI-B	77.09" 195.8cm	21.65" 55cm	5.04" 12.8cm	70.52" 179.1cm	15.2" 38.6cm	13.78" 35cm	69.21" 175.8cm

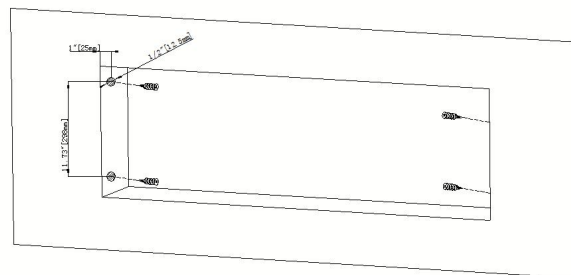
Montaggio e installazione

Attenzione: Installare il caminetto in modo tale che in caso di guasto possa essere rimosso dalla parete per la manutenzione.

MONTAGGIO A INCASSO DELLA PARETE



(A)

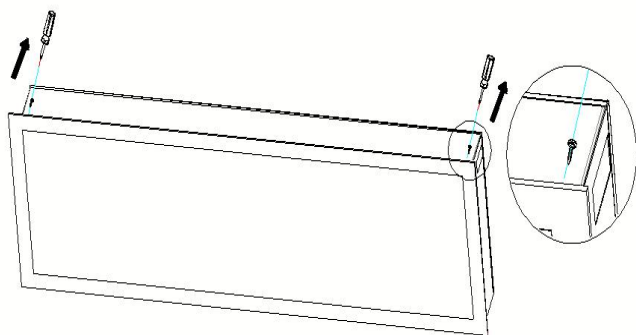


(B)

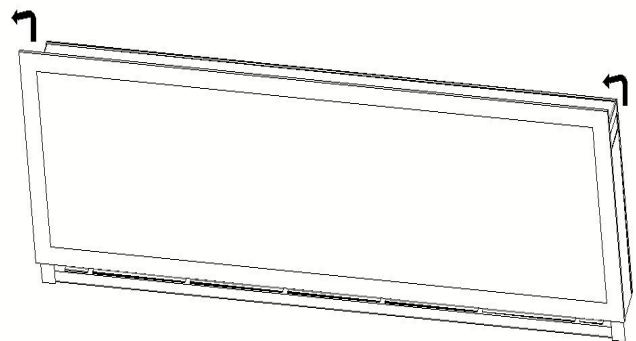
Passo A. Scegliere la parete in cartongesso per effettuare il foro per caminetto. Le adeguate dimensioni del foro devono essere controllate nella seguente tabella. **Figura (A)**

Dimensione del foro		
Numero del modello	W	H
AV-WM92PRI-S AV-WM105PRI-B	35.1" (89.2cm)	15.78" (40.1cm)
AV-WM115PRI-S AV-WM128PRI-B	44" (112cm)	15.78" (40.1cm)
AV-WM127PRI-S AV-WM140PRI-B	50.6" (128.5cm)	15.78" (40.1cm)
AV-WM153PRI-S AV-WM166PRI-B	59" (150.1cm)	15.78" (40.1cm)
AV-WM165PRI-S AV-WM178PRI-B	64" (162.8cm)	15.78" (40.1cm)
AV-WM183PRI-S AV-WM196PRI-B	7.1" (180.6cm)	15.78" (40.1cm)

Passo B. Montare tre tasselli a espansione da ogni lato dell'apparecchio, a seconda delle dimensioni presentate sul disegno. **Figura (B)**



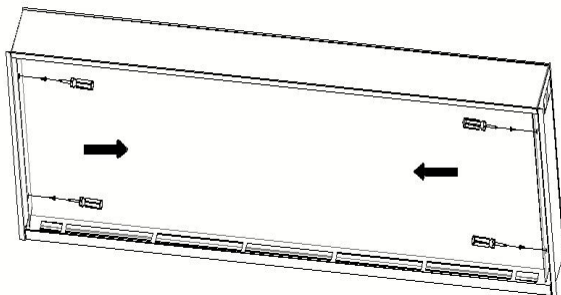
(C)



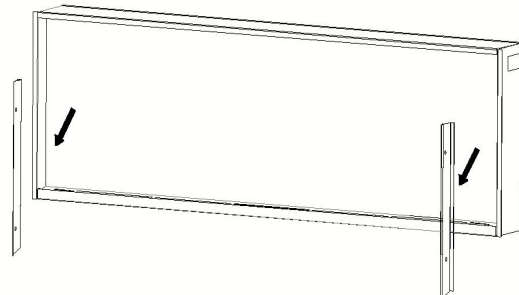
(D)

Passo C. Togliere due viti da entrambi i lati del pannello di vetro. **Figura (C)**

Passo D. Con l'aiuto di un'altra persona togliere il pannello di vetro dal caminetto. Appoggiarlo sulla superficie morbida e pulita. **Figura (D)**

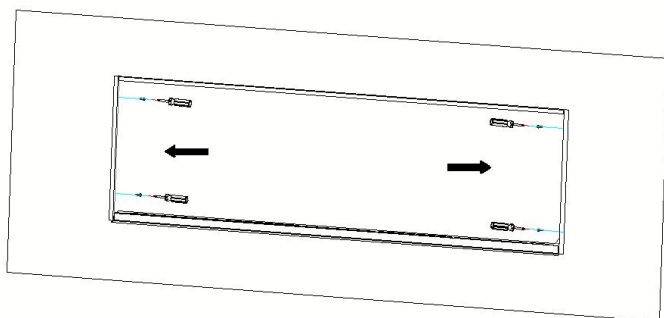


(E)

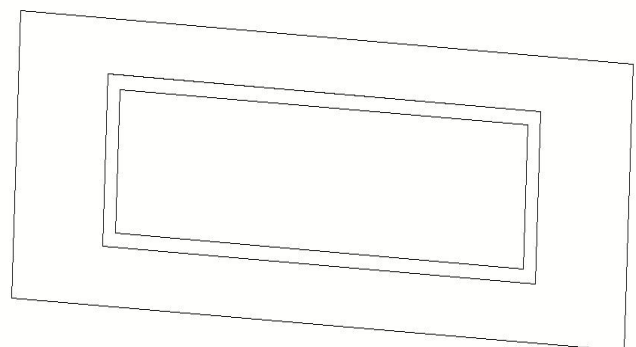


(F)

Passo E. Togliere le due viti da entrambi i lati e poi togliere i due manici in metallo, occorre tenerle, perché dovranno essere avvitate di nuovo. **Figura (E, F)**



(G)



(H)

Passo F. Con l'aiuto di un'altra persona mettere il modulo del caminetto in apertura muraria.

- Usare 4 viti (in dotazione del kit) per bloccare il dispositivo sulla parete tramite i manici laterali **Figura (G)**
- Rimontare i due supporti, poi montare media e rimontare il vetro anteriore. **Figura (H)**

MONTAGGIO A PARETE

Considerando molti, vari materiali utilizzati sulle diverse pareti, si raccomanda di consultare il professionista prima di procedere al montaggio dell'apparecchio sulla parete.

A. Scegliere un posto che non è esposto all'umidità e si trova almeno 100 cm dai materiali infiammabili, come tende, mobili, biancheria da letto, carta ecc.

B. Per definire una posizione finale sono richieste due persone per tenere.

C. Posizionare l'involucro con la parte frontale verso basso sulla superficie morbida, non abrasiva. Togliere il supporto dalla parte posteriore dell'apparecchio svitando le viti, vedi Figura 1.

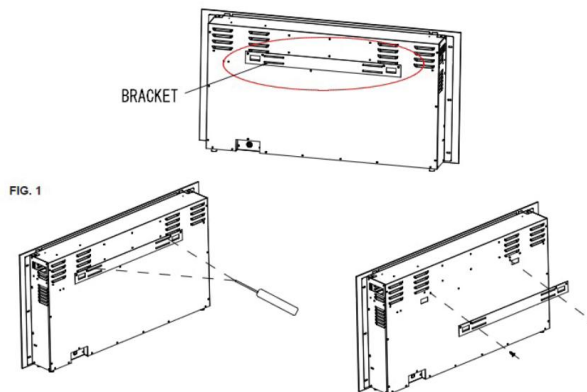
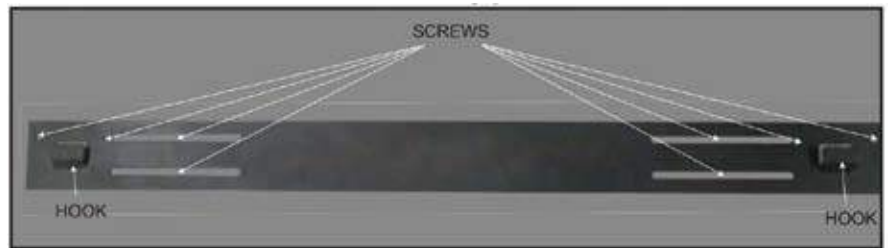
D. Contrassegnare la posizione e poi fissare supporti alla parete con le viti in dotazione. Ganci del supporto DEVONO essere puntati verso l'alto, invece il supporto deve essere livellato.

ATTENZIONE: Si raccomanda che il supporto

di montaggio (E) sia avvitato ai tasselli da parete, ove possibile. Se non possono essere utilizzati viti per pareti, assicurati che bulloni di ancoraggio di plastica in dotazione utilizzati per fissare il supporto alla parete, invece il supporto è adeguatamente protetto.

E. Dopo aver installato la staffa di montaggio da parete, sollevare l'apparecchio con l'aiuto di un'altra persona e mettere due ganci del supporto nei fori sulla parete posteriore dell'apparecchio.

F. Controllare la stabilità dell'apparecchio, assicurandosi che il supporto non fuoriesca dalla parete.

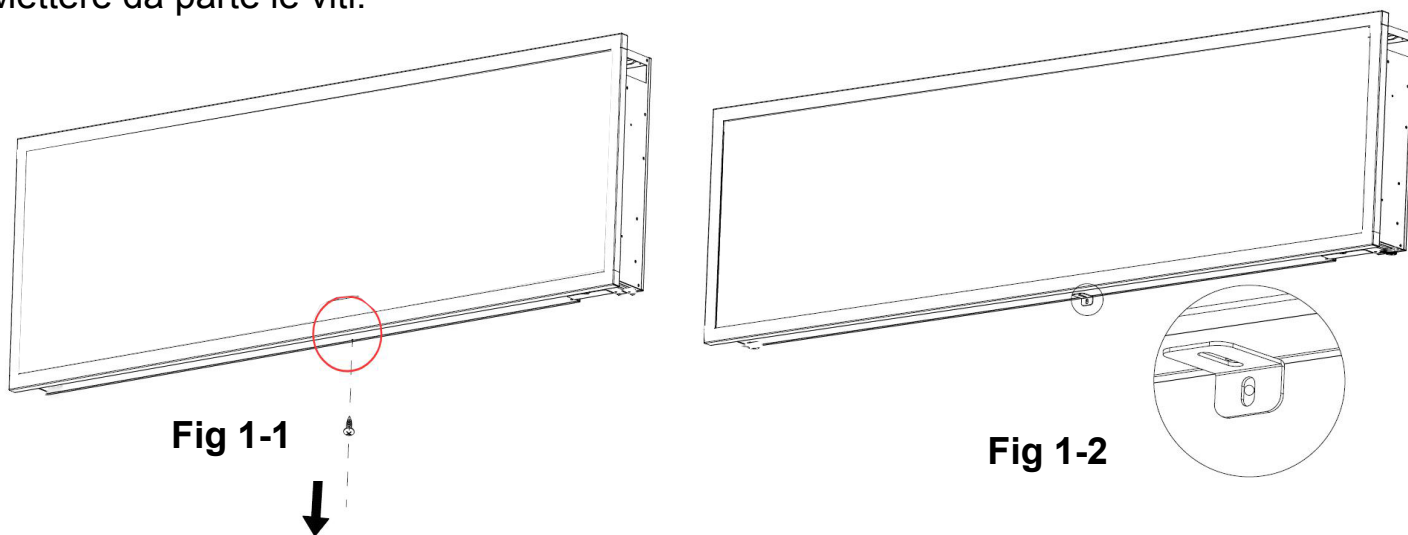


La figura mostra la staffa da parete

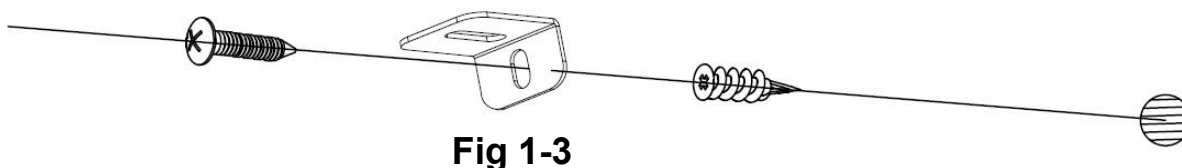
Installazione di supporto a forma di L

Dopo aver completato l'installazione di supporto a muro (s)

A. Rimuovere le viti d'argento dalla parte inferiore dell'apparecchio. **(Fig 1-1)**.
Mettere da parte le viti.



B. Utilizzando la vite precedente tolta, fissare il supporto a forma di L (in dotazione) alla parte inferiore della cassetta del camino. **(Fig 1-2)**



C. Montare l'ancoraggio in plastica a parete asciutta, poi fissare la vite **B** (in dotazione) nei fori del supporto a forma di L nell'ancoraggio della parete per proteggere il camino dalla fuoriuscita dei ganci. **(Fig 1-3)**

Montaggio del set di ceppi / cristalli / sassolini decorativi

(ATTENZIONE: effettuare il montaggio a seconda del tipo di focolare acquistato o selezionato)

A. Prima di procedere al montaggio del set di ceppi / cristalli / sassolini decorativi, l'apparecchio deve essere installato nel luogo di destinazione e bisogna togliere la lastra di vetro anteriore.

B. Posizionare attentamente un di letto di braci in plastica in un apposito spazio, poi disporre cristalli/ sassolini carboni sulla superficie di letto di braci come mostrato nella figura. Applicare uno strato uniforme da una parte all'altra. **Figura 1, Figura 2.**



Figura 1. (Cristalli)



Figura 2. (Sassolini)

Montaggio del set di ceppi - facoltativo

Posizionare attentamente il set di ceppi nello spazio designato (vedi illustrazione sotto) (Figura 3.)



Figura 3. (Set di ceppi)

Uso



Prima di **collegare** o **iniziare a usare** l'apparecchio, **leggere attentamente** l'intero manuale utente, tenendo conto di **tutte le informazioni relative alla sicurezza**. Mancato rispetto di tale requisito può causare **una folgorazione, un incendio, gravi lesioni al corpo o morte**.

Collegamento all'alimentazione

Collegare il cavo di alimentazione alla presa AC 220-240 V (vedi **IMPORTANTI ISTRUZIONI DI SICUREZZA** sulle **pagine 2 e 3**). Assicurati che la presa sia in buone condizioni tecniche e la spina non sia allentata. **MAI** superare la corrente massima ammissibile per il circuito. **NON** collegare altri apparecchi allo stesso circuito.

Modalità di funzionamento



Questo camino elettrico può essere utilizzato SOLO con il TELECOMANDO.



Prima di procedere all'uso, leggere **IMPORTANTI ISTRUZIONI DI SICUREZZA** sulle **pagine 2 e 3**, e applicarle.



Telecomando

Uso del telecomando


PULSANTE	FUNZIONE	FUNZIONAMENTO e SEGNALAZIONE
 POWER	ON: Attiva le funzioni del pannello di controllo e del telecomando. Accende l'effetto di fiamma. OFF: Blocca le funzioni del pannello di controllo e del telecomando. Spegne l'effetto di fiamma.	1. Premere una volta: La spia si accende. Attivazione dell'alimentazione. Tutte le funzioni attive. 2. Premere di nuovo: L'effetto di fiamma disattivato. Apparecchio in modalità standby. Tutte le funzioni non attive.
 SPEED	Velocità dell'effetto: Cambio di velocità dell'effetto di fiamma. Ci sono 3 livelli di velocità: 01 (lento), 02 (medio), 03 (veloce), 04 (più veloce).	1. Premere una volta. La spia si illumina. Avviene il cambio di velocità. 2. Premere di nuovo fino ad ottenere l'impostazione desiderata. Predefinita 02.

 FLAME COLOR	<p>Pulsante COLORE: Cambio di colore per l'effetto di fiamma.</p> <p>ATTENZIONE: L'effetto di colore rimane attivo finché il pulsante di alimentazione non venga premuto. L'effetto di colore di fiamma deve essere acceso per accendere il riscaldatore.</p>	<ol style="list-style-type: none"> Premere una volta: Cambio di colore di fiamma. Premere di nuovo finché l'impostazione desiderata non venga raggiunta. Sono disponibili tre colori.
 FLAME BRIGHTNESS	<p>Pulsante FIAMMA: regola la luminosità della fiamma.</p> <p>ATTENZIONE: L'effetto di fiamma rimane acceso fino a quando viene premuto il pulsante di alimentazione. L'effetto di fiamma deve essere acceso per accendere il riscaldatore.</p>	<ol style="list-style-type: none"> Premere una volta: Cambio di luminosità dell'effetto di fiamma. Premere di nuovo finché l'impostazione desiderata non venga raggiunta.
 EMBER LIGHTS	<p>Pulsante di illuminazione dei ceppi: Fa sì che il colore in fondo all'effetto cambi.</p> <p>ATTENZIONE: L'effetto del colore rimane attivo fino a quando si preme il pulsante di alimentazione.</p> <p>ATTENZIONE: Il presente caminetto ha la funzione di memorizzare le impostazioni di illuminazione.</p>	<ol style="list-style-type: none"> Premere una volta. Cambio del colore di illuminazione. Premere di nuovo fino ad ottenere l'impostazione desiderata. Disponibili 10 colori. Ciclo automatico: Dopo aver premuto 11 volte, i colori di illuminazione cambieranno automaticamente (ATTENZIONE: cambio dei colori dura 15 secondi.)
 EMBER BRIGHTNESS	<p>Luminosità di illuminazione: Cambio di luminosità dell'illuminazione.</p> <p>ATTENZIONE: Luminosità di illuminazione rimane attiva fino a quando si preme il pulsante di alimentazione.</p>	<ol style="list-style-type: none"> Premere una volta. Cambio della luminosità di illuminazione. Premere di nuovo fino ad ottenere l'impostazione desiderata. Disponibili 5 livelli.

ATTENZIONE Per migliorare il funzionamento, **punta** il telecomando verso la parte frontale del caminetto. **NON premere i pulsanti troppo in fretta.** Attendere un attimo finché l'apparecchio non reagisca ai singoli comandi.

Informazioni sulle batterie del telecomando

- Il telecomando richiede una batteria CR2025 (Inclusa)

 Non gettare **MAI** le batterie nel **fuoco**. Il mancato rispetto di tale requisito **può causare una esplosione**. Le batterie usate devono essere smaltite nei contenitori appositamente contrassegnati o portate al Punto di Raccolta Differenziata dei Rifiuti Urbani.

Pulizia e manutenzione

Pulizia



Prima di procedere alla pulizia, alla manutenzione o allo spostamento del caminetto, bisogna **SEMPRE spegnere** il riscaldatore e **scollegare il cavo di alimentazione dalla presa**. Il mancato rispetto di tale requisito può causare **una folgorazione, un incendio o lesioni al corpo**.



Non immergere MAI l'apparecchio in acqua e non spruzzare con acqua. Tale comportamento può causare **una folgorazione, un incendio o lesioni al corpo**.

Componenti in metallo:

- Lucidare con un panno secco, delicatamente umidificato con prodotto detergente a base di oli di agrumi.
- **NON** usare preparati per lucidare ottone o prodotti detergenti per la casa, perché questi prodotti danneggeranno di rifinitura in metallo.

Componenti in vetro:

- Utilizzare i prodotti per lavare le superfici in vetro di alta qualità, spruzzati sul panno o asciugamano. Asciugare accuratamente con asciugamano in carta o con panno anti pelucchi.
- Non usare **MAI** prodotti di pulizia abrasivi, aerosol o altri prodotti che possono graffiare la superficie.

Griglie di ventilazione:

- Rimuovere polvere e sporcizia dal riscaldatore e dalla superficie di griglie con l'aspirapolvere o il panno per polvere.

Elementi di plastica:

- Pulire delicatamente con un panno, leggermente umidificato con una leggera soluzione di detersivo per piatti e acqua tiepida.
- Non usare **MAI** prodotti di pulizia abrasivi, aerosol o altri prodotti che possono graffiare la superficie.

Manutenzione



Rischio di folgorazione! NON APRIRE i pannelli! L'apparecchio non contiene i componenti adatti per la riparazione in maniera autonoma!



Prima di procedere alla pulizia, alla manutenzione o allo spostamento del caminetto, bisogna **SEMPRE spegnere** il riscaldatore e **scollegare il cavo di alimentazione dalla presa**. Il mancato rispetto di tale requisito può causare **una folgorazione, un incendio o lesioni al corpo**.

Componenti elettrici e in movimento:

- Componenti elettrici sono integrati nell'apparecchio e non possono essere riparati in modo autonomo.

Stoccaggio:

L'apparecchio non utilizzato deve essere immagazzinato in un luogo pulito, asciutto.



AVVERTIMENTO! I componenti elettrici interni **NON SONO ADATTI** alla riparazione in modo autonomo dall'utente.



WEEE:

Smaltimento e riciclaggio:

L'apparecchio non può essere gettato insieme ai semplici rifiuti urbani indifferenziati. Bisogna utilizzare gli appositi punti di raccolta. Per ulteriori informazioni relativi ai sistemi di raccolta dei rifiuti disponibili occorre contattare le autorità locali. Lo smaltimento delle apparecchiature elettriche nelle discariche può portare all'infiltrazione delle sostanze pericolose nelle acque sotterranee e immissione nella catena alimentare, che può avere un effetto negativo sulla salute e sul benessere.

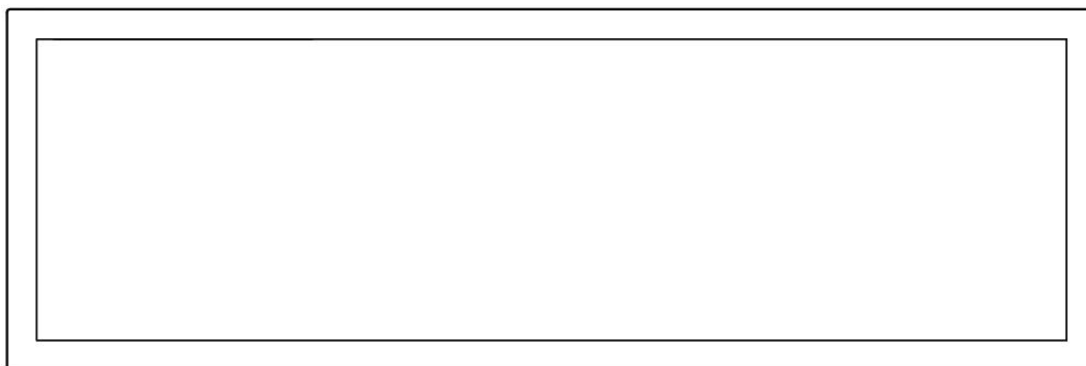
Nel caso di sostituzione dei vecchi apparecchi per nuovi, il venditore ha l'obbligo legale di prendere l'apparecchio vecchio per lo smaltimento senza spese aggiuntive.

CHIMENEA ELÉCTRICA DE PARED - SIN CALEFACCIÓN

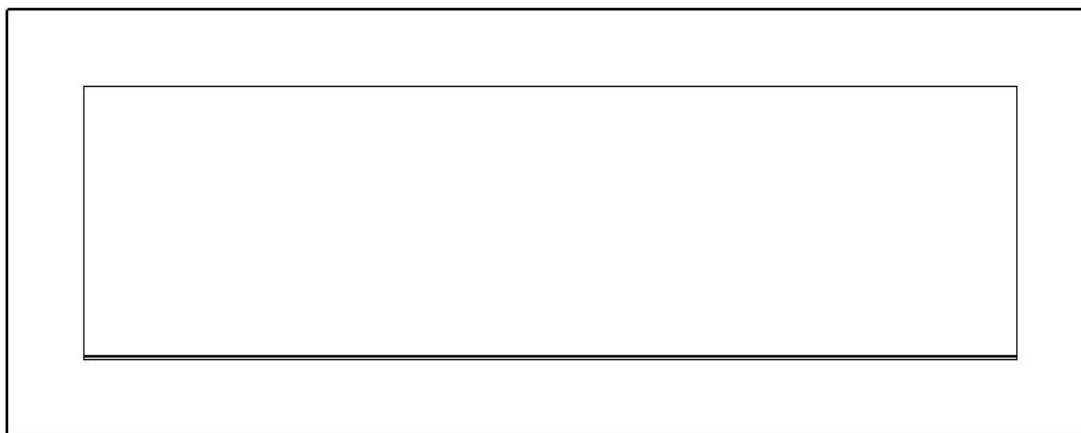
Model# : ■ AV-WM92PRI-S ■ AV-WM115PRI-S ■ AV-WM127PRI-S
■ AV-WM153PRI-S ■ AV-WM165PRI-S ■ AV-WM183PRI-S

Model# : ■ AV-WM105PRI-B ■ AV-WM128PRI-B ■ AV-WM140PRI-B
■ AV-WM166PRI-B ■ AV-WM178PRI-B

MANUAL DE USUARIO



Marco Delgado Montado en la Pared / Chimenea Eléctrica Incorporada



Marco Grande Montado en la Pared / Chimenea Eléctrica Incorporada

AC 220V-240V 50Hz



ADVERTENCIA

Antes de conectar o usar desde el dispositivo, lea y entienda el manual completo del usuario, incluida toda la información de seguridad. El incumplimiento de estas instrucciones puede provocar incendios, descargas eléctricas o lesiones graves.

INSTRUCCIONES IMPORTANTES DE SEGURIDAD:

ADVERTENCIA

Cuando utilice dispositivos eléctricos, siga siempre las precauciones básicas para reducir el riesgo de incendio, descarga eléctrica y lesiones personales, incluyendo los siguientes consejos:

- Lea todas las instrucciones antes de usar este dispositivo.
- El dispositivo no utilizado debe desconectarse de la fuente de alimentación.
- No encienda el dispositivo con un cable o enchufe dañado, o en el caso de un mal funcionamiento del dispositivo, o tras caer. Devuelva el dispositivo a un centro de servicio autorizado para su inspección, ajuste eléctrico o mecánico, o reparación.
- El dispositivo está diseñado solamente para uso en interiores.
- No utilice el dispositivo en baños, lavanderías y espacios similares. Nunca coloque el dispositivo donde pueda caer en una bañera u otro tanque de agua.
- No ponga el cable de alimentación debajo de la alfombra. No cubra el cable con alfombras, aceras u otros revestimientos. Mantenga el cable alejado de lugares frecuentados para que nadie tropiece con él.
- Para desconectar el dispositivo, apague todas las luces (posición "OFF") y luego desenchufe el cable de la toma de corriente.
- Use la chimenea tal y como se describe en este manual. Cualquier otro uso no recomendado por el fabricante puede provocar incendios, descargas eléctricas o lesiones personales.
- Las lámparas se pueden reemplazar solo tras desconectar la chimenea de la fuente de alimentación.
- Este dispositivo no está diseñado para ser utilizado por personas (incluidos niños) con un rendimiento físico, mental o sensorial reducido o que carecen de los conocimientos o la experiencia adecuados, a menos que estén bajo la supervisión de una persona responsable de su seguridad o hayan sido instruidos por ellos en el área de uso del dispositivo. Asegúrese de que los niños no jueguen con el dispositivo.

Preparación



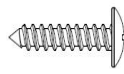
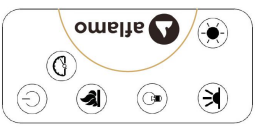


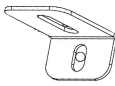
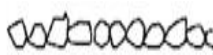



Este producto está equipado con un **panel de vidrio**! Siempre cuando maneje el **vidrio**, debe mantener una **precaución especial**. El incumplimiento de estas instrucciones puede provocar lesiones personales o daños a la propiedad.

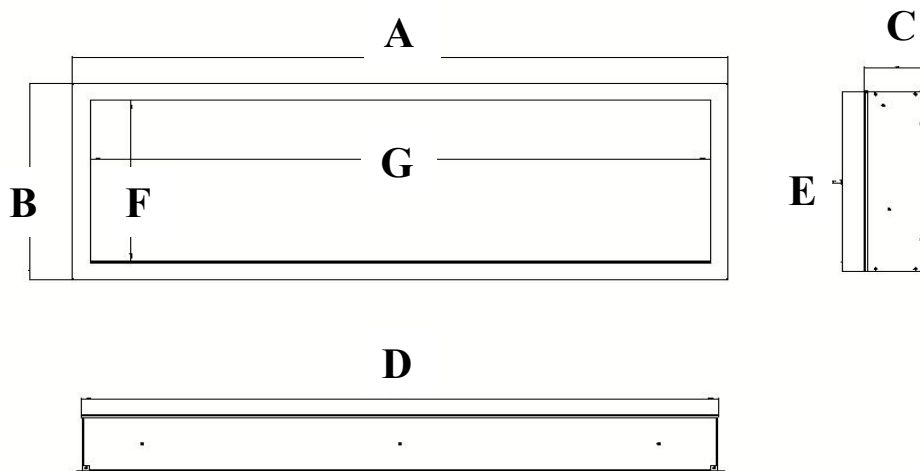
Retire todos los componentes y piezas de ensamblaje del cartón y colóquelos en una superficie limpia, suave y seca. Compruebe la lista de piezas para asegurarse de que no falta nada. Los materiales de embalaje deben desecharse adecuadamente. Siempre que sea posible, los residuos deben ser transferidos para su reprocesamiento.

Se requerirán las siguientes herramientas (no incluidas): destornillador de estrella; nivel de burbuja; cinta métrica; taladro; martillo.

Parts and hardware

 <p>A – Chimenea</p>			
	<p>B – Tornillos para madera</p>		<p>C – Anclajes</p>
	 <p>Mando a distancia</p>	 <p>Tira de plástico de la cama de ascuas</p>	
 <p>E-Soporte de pared Montado en la parte posterior de la carcasa.</p>	 <p>F-Soporte de montaje en "L"</p>	 <p>G-Cristales/Piedras decorativas</p>	 <p>H - Conjunto de registros</p>

Especificaciones y dimensiones



MEDIDAS DEL PRODUCTO

Número de modelo	A	B	C	D	E	F	G
AV-WM92PRI-S	36" 91.5cm	16.54" 42cm	5.04" 12.8cm	34.53" 87.7cm	15.2" 38.6cm	13.78" 35cm	33.27" 84.5cm
AV-WM115PRI-S	45" 114.3cm	16.54" 42cm	5.04" 12.8cm	43.51" 110.5cm	15.2" 38.6cm	13.78" 35cm	42.24" 107.3cm
AV-WM127PRI-S	50" 127CM	16.54" 42cm	5.04" 12.8cm	48.51" 123.2cm	15.2" 38.6cm	13.78" 35cm	47.24" 120cm
AV-WM153PRI-S	60" 152.4cm	16.54" 42cm	5.04" 12.8cm	58.51" 148.6cm	15.2" 38.6cm	13.78" 35cm	57.24" 145.4cm
AV-WM165PRI-S	65" 165cm	16.54" 42cm	5.04" 12.8cm	63.51" 161.3cm	15.2" 38.6cm	13.78" 35cm	62.2" 158cm
AV-WM183PRI-S	72" 182.8cm	16.54" 42cm	5.04" 12.8cm	70.52" 179.1cm	15.2" 38.6cm	13.78" 35cm	69.21" 175.8cm

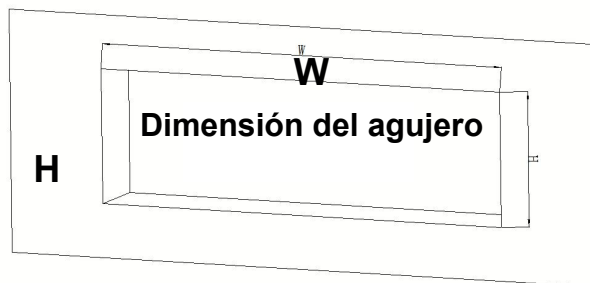
MEDIDAS DEL PRODUCTO

Número de modelo	A	B	C	D	E	F	G
AV-WM105PRI-B	41.14" 104.5cm	21.65" 55cm	5.04" 12.8cm	34.53" 87.7cm	15.2" 38.6cm	13.78" 35cm	33.27" 84.5cm
AV-WM128PRI-B	50.12" 127.3cm	21.65" 55cm	5.04" 12.8cm	43.51" 110.5cm	15.2" 38.6cm	13.78" 35cm	42.24" 107.3cm
AV-WM140PRI-B	55.12" 140CM	21.65" 55cm	5.04" 12.8cm	48.51" 123.2cm	15.2" 38.6cm	13.78" 35cm	47.24" 120cm
AV-WM166PRI-B	65.12" 165.4cm	21.65" 55cm	5.04" 12.8cm	58.51" 148.6cm	15.2" 38.6cm	13.78" 35cm	57.24" 145.4cm
AV-WM178PRI-B	70.08" 178cm	21.65" 55cm	5.04" 12.8cm	63.51" 161.3cm	15.2" 38.6cm	13.78" 35cm	62.2" 158cm
AV-WM196PRI-B	77.09" 195.8cm	21.65" 55cm	5.04" 12.8cm	70.52" 179.1cm	15.2" 38.6cm	13.78" 35cm	69.21" 175.8cm

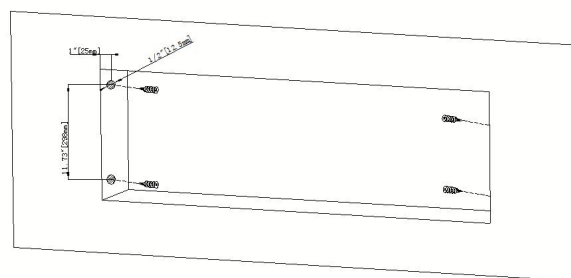
Montaje e instalación

Atención: Instale la chimenea de tal manera que, en caso de falla, se pueda quitar de la pared para fines de servicio.

MONTAJE EMPOTRADO EN LA PARED



(A)

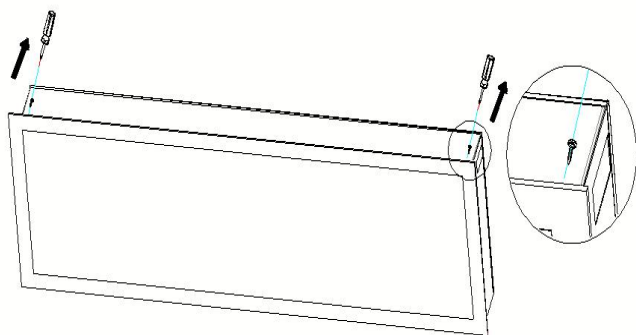


(B)

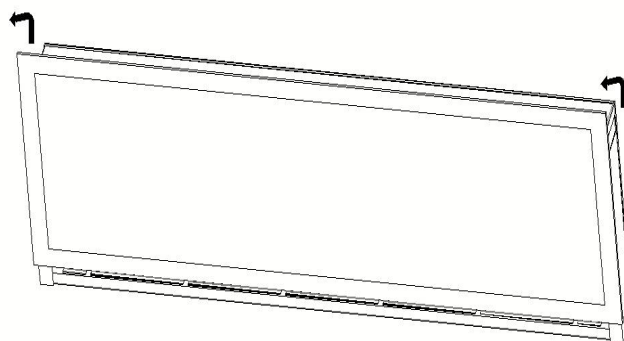
Paso A. Elija una pared con enlucido seco para hacer un agujero para la chimenea. El tamaño apropiado de los orificios se deben verificar en la tabla a continuación. **Dibujo (A)**

Dimensión del agujero		
Número de modelo	W	H
AV-WM92PRI-S AV-WM105PRI-B	35.1" (89.2cm)	15.78" (40.1cm)
AV-WM115PRI-S AV-WM128PRI-B	44" (112cm)	15.78" (40.1cm)
AV-WM127PRI-S AV-WM140PRI-B	50.6" (128.5cm)	15.78" (40.1cm)
AV-WM153PRI-S AV-WM166PRI-B	59" (150.1cm)	15.78" (40.1cm)
AV-WM165PRI-S AV-WM178PRI-B	64" (162.8cm)	15.78" (40.1cm)
AV-WM183PRI-S AV-WM196PRI-B	7.1" (180.6cm)	15.78" (40.1cm)

Paso B. Monte los tres enchufes de pared a cada lado del dispositivo, de acuerdo con las dimensiones que se muestran en la figura. **Dibujo (B)**



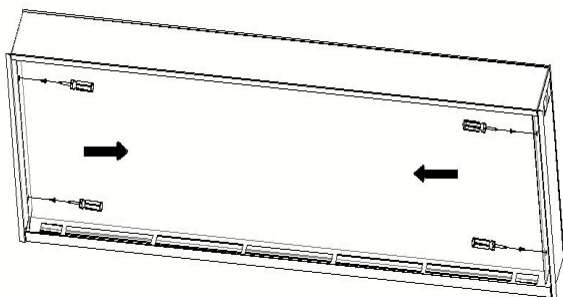
(C)



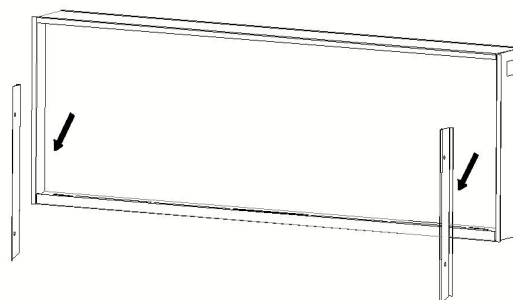
(D)

Paso C. Saque los dos tornillos a ambos lados del panel de vidrio. **Dibujo (C)**

Paso D. Con la ayuda de otra persona, retire el panel de vidrio de la chimenea. Colóquelo sobre una superficie suave y limpia. **Dibujo (D)**

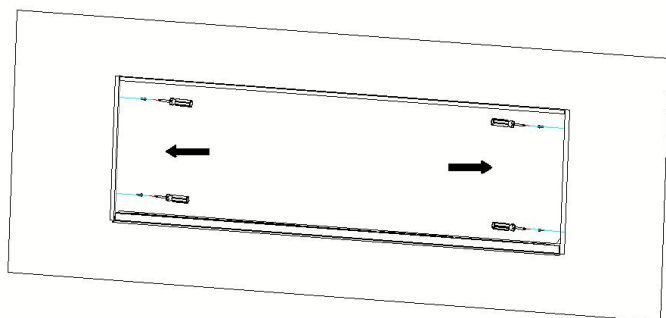


(E)

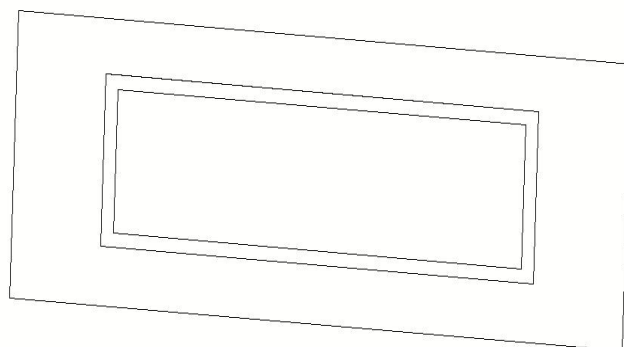


(F)

Paso E. Afloje los dos tornillos de ambos lados y, a continuación, retire los dos soportes metálicos, consérvelos, ya que tendrá que volver a atornillarlos. **Figura (E, F)**



(G)



(H)

Paso F. Con ayuda de otra persona, coloque el módulo de comunicación en la abertura de la pared.

- Utilice 4 tornillos (incluidos) para fijar el dispositivo a la pared utilizando los soportes laterales. **Figura (G)**
- Vuelva a montar los dos soportes, a continuación, monte el medio y vuelva a colocar el cristal frontal. **Figura (H)**

MONTAJE EN PARED

Debido a la gran variedad de materiales utilizados en diferentes paredes, se recomienda consultar a un profesional antes de instalar este dispositivo en la pared.

A. Elija un lugar que no sea susceptible a la humedad y que esté al menos a 100 cm de materiales inflamables, como cortinas, muebles, ropa de cama, papel, etc. B. Se necesitan dos personas para determinar la ubicación final.

C. Coloque el lado frontal de la carcasa de cara hacia abajo sobre una superficie suave y no abrasiva. Retire el soporte de la parte posterior del dispositivo desatornillando los tornillos, consulte la Figura 1.

D. Marque la ubicación, luego fije los soportes a la pared con los tornillos provistos. Los soportes DEBEN apuntar hacia arriba y el soporte debe estar nivelado.

¡ATENCIÓN! Se recomienda encarecidamente que el soporte de montaje (E) se atornille a los tacos de pared siempre que sea posible. Si no se pueden usar los tornillos de pared, asegúrese de que los anclajes de plástico suministrados se utilicen para fijar el soporte a la pared y que el soporte esté bien sujeto.

E. Después de instalar el soporte de montaje en pared, levante el dispositivo con la ayuda de otra persona y coloque los dos ganchos del soporte en los orificios de la parte posterior del dispositivo.

F. Compruebe la estabilidad del dispositivo, asegurándose de que el soporte no salga de la pared.

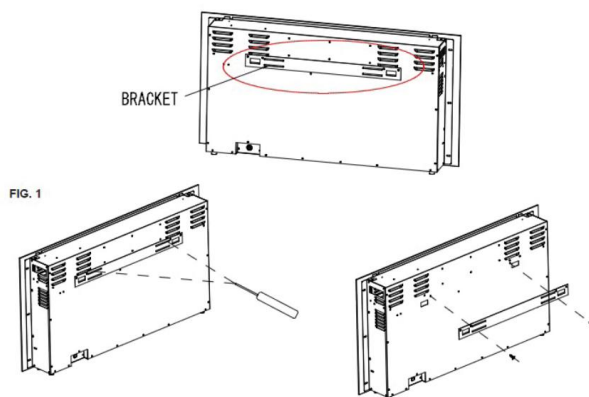
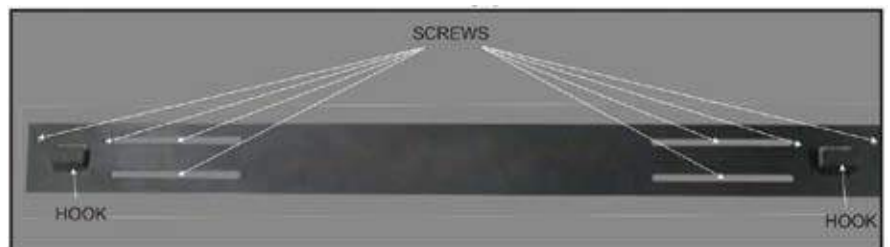
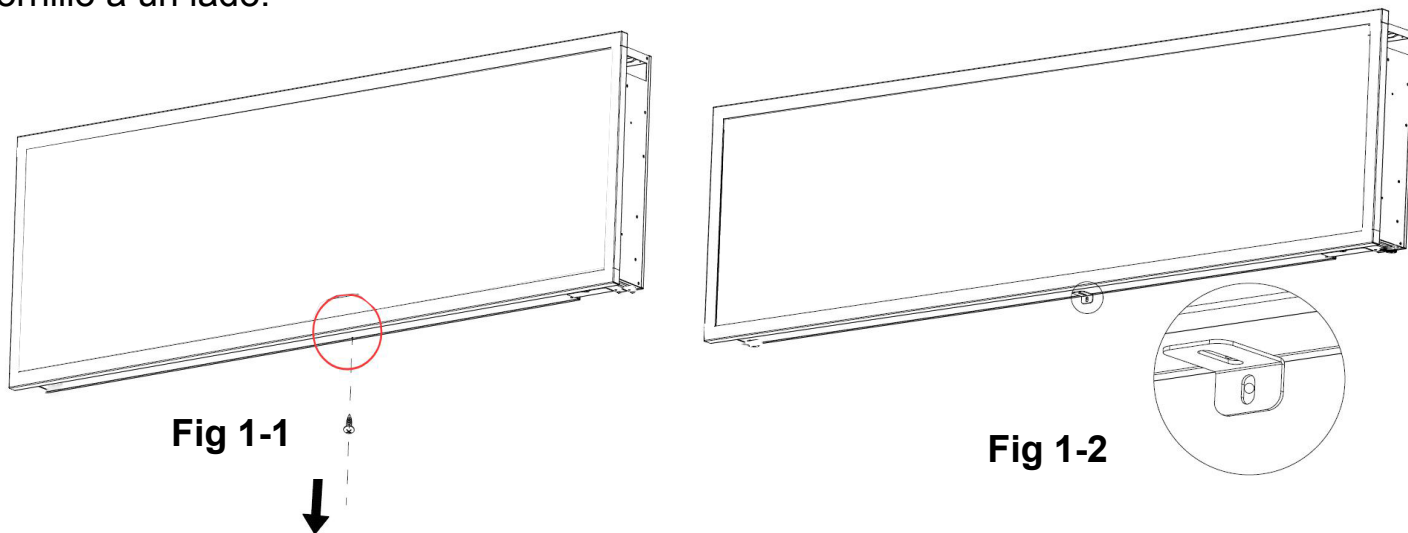


Ilustración de un soporte de pared

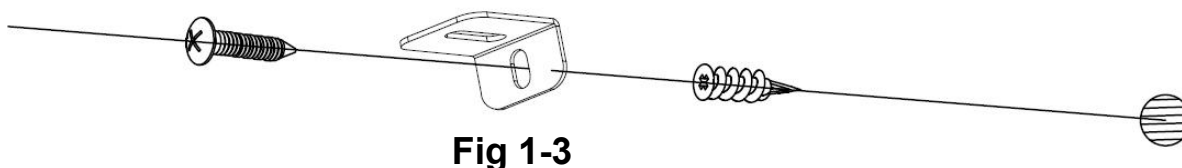
“L” Forma del soporte instalación

Tras realizar el montaje del soporte de pared (s)

A. Quite el tornillo plateado de la parte inferior del dispositivo. **(Fig 1-1)**. Deje el tornillo a un lado.



B. Usando el tornillo previamente retirado, fije el soporte en L (suministrado) a la parte inferior de la caja de la chimenea. **(Fig 1-2)**



C. Monte el anclaje de plástico en la pared seca, luego monte el tornillo **B** (suministrado) en el orificio del soporte en L en el anclaje de la pared para asegurar que la chimenea no se salga de los ganchos **(Fig. 1-3)**

Instalación del conjunto de madera / cristales / piedras decorativas

(**ATENCIÓN:** realice el montaje de acuerdo con el tipo de horno comprado o seleccionado)

A. Antes de instalar un juego de troncos / cristales / piedras decorativas, el dispositivo debe instalarse en el lugar de destino y el vidrio frontal debe retirarse.

B. Con cuidado, coloque la tira de plástico de la cama de ascuas en la ranura, luego coloque las brasas de cristal/guijarros en la superficie de la cama de ascuas como se muestra en la ilustración. Aplicar una capa uniforme de lado a lado. **Figura 1, Figura 2.**



Figure 1. (Cristales)



Figure 2. (Piedras)

Montaje opcional del juego de troncos

Coloque cuidadosamente el juego de troncos en la ranura diseñada (ver ilustración más abajo) (Figura 3.)



Figura 3. (Juego de troncos)

Funcionamiento



Antes de conectar o comenzar a utilizar el dispositivo, lea concienzudamente en su totalidad el manual completo del usuario, incluida toda la información de seguridad. El incumplimiento de estas instrucciones puede provocar incendios, descargas eléctricas o lesiones graves.

Conexión a la fuente de alimentación

Conecte el cable de alimentación a la toma de CA 220-240 V (consulte las **INSTRUCCIONES IMPORTANTES DE SEGURIDAD** en páginas 2 y 3). Asegúrese de que la enchufe de toma de corriente esté en buenas condiciones y que el enchufe macho no esté suelto. **NUNCA** no exceda la corriente de circuito permitida. **NO** conecte otros dispositivos al mismo circuito.

Modo de empleo



Esta chimenea eléctrica ÚNICAMENTE puede manejarse mediante el MANDO A DISTANCIA.





Antes de operar, lea las **INSTRUCCIONES IMPORTANTES DE SEGURIDAD** en las páginas 2 y 3 y sígalas.



Mando a distancia

Funcionamiento con mando a distancia


BOTÓN	FUNCIÓN	OPERACIÓN Y SEÑALIZACIÓN
 POWER	<p>ON Activa las funciones del panel de control y del mando a distancia. Se atribuye el efecto de llama.</p> <p>OFF Desactiva las funciones del panel de control y del mando a distancia. Apaga el efecto de llama.</p>	<ol style="list-style-type: none"> Presione una vez: El indicador se enciende. Enciende la fuente de alimentación. Todas las funciones activas Presione de nuevo: Efecto de llama apagado. El dispositivo está en modo de espera. Todas las funciones desactivadas.
 SPEED	<p>Velocidad del efecto: Cambio de velocidad del efecto de llama. Existen 3 niveles de velocidad: 01 (lento), 02 (medio), 03 (rápido), 04 (lo más rápido).</p>	<ol style="list-style-type: none"> Pulse una vez. Se enciende el testigo. La velocidad cambia Pulse de nuevo hasta alcanzar el ajuste deseado. Por defecto 02.

 FLAME COLOR	<p>Botón de COLOR: Cambio de color para el efecto de llama.</p> <p>¡ATENCIÓN! El efecto de color permanece activo hasta que pulse el botón de encendido. El efecto de color debe de estar encendido para activar el calentador.</p>	<ol style="list-style-type: none"> 1. Presione una vez: Cambio del color de la llama. 2. Presione nuevamente hasta obtener el ajuste deseado. Disponible en 3 colores.
 FLAME BRIGHTNESS	<p>Botón LLAMA: ajusta el brillo de la llama.</p> <p>¡ATENCIÓN! El efecto de llama permanece activo hasta que se presiona el botón de encendido. El efecto de llama debe estar encendido para activar el calentador.</p>	<ol style="list-style-type: none"> 1. Presione una vez: Cambiando el brillo del efecto llama. 2. Presione nuevamente hasta obtener el ajuste deseado.
 EMBER LIGHTS	<p>Botón de retroiluminación del tronco: Hace que cambie el color en la parte inferior del efecto.</p> <p>ATENCIÓN: El efecto de color permanece activo hasta que se pulsa el botón de encendido.</p> <p>ATENCIÓN: Esta chimenea cuenta con la función de guardar la configuración de la retroiluminación.</p>	<ol style="list-style-type: none"> 1. Pulse una vez. Cambio de color de la retroiluminación 2. Pulse de nuevo hasta alcanzar el ajuste deseado. Existen 10 colores disponibles. 3. Ciclo automático: Al pulsar 11 veces, los colores de la retroiluminación cambiarán automáticamente (ATENCIÓN: el cambio de colores dura 15 segundos.)
 EMBER BRIGHTNESS	<p>Brillo de la retroiluminación: Cambio del brillo de la retroiluminación.</p> <p>ATENCIÓN: El brillo de la retroiluminación permanece activo hasta que se pulsa el botón de encendido.</p>	<ol style="list-style-type: none"> 1. Pulse una vez. Cambio del brillo de la retroiluminación. 2. Pulse de nuevo hasta alcanzar el ajuste deseado. Existen 5 niveles disponibles.

¡ATENCIÓN! Para mejorar el rendimiento, **dirija** al frente de la chimenea. **NO presione los botones demasiado rápido.** Espere un momento hasta que el dispositivo responda a cada comando.

Información sobre las pilas del mando a distancia

- El mando a distancia utiliza una pila CR2025 (Incluida)

 **NUNCA** tire las pilas al **fuego**. El incumplimiento de este requisito **puede provocar una explosión**. Las baterías usadas se deben tirar en contenedores especialmente marcados o entregarse en el Punto de recogida selectiva de residuos municipales.

Limpieza y mantenimiento

Limpieza



Antes de limpiar, mantener o mover la chimenea, debe **apagar SIEMPRE** el calefactor y **desconectar el cable de alimentación de la toma**. El incumplimiento de estas instrucciones puede provocar incendios, **descargas eléctricas o lesiones graves**.



NUNCA sumerja el aparato en agua ni lo rocíe con agua. De lo contrario, se pueden producir **descargas eléctricas, incendios o lesiones**.

Elementos de metal:

- Pulir con un paño seco, ligeramente humedecido en un producto de limpieza a base de aceites cítricos.
- **NO** use productos de limpieza para pulir latón o productos de limpieza domésticos, ya que estos productos dañarán el acabado metálico.

Elementos de vidrio:

- Use un limpiador de vidrios de alta calidad, rociando sobre un paño o toalla. Seque bien con una toalla de papel o un paño que no suelte pelusa.
- **NUNCA** use limpiadores abrasivos, aerosoles u otros productos que puedan arañar la superficie.

Rejillas de ventilación:

- Elimine el polvo y la suciedad de las superficies del calentador y la rejilla con una aspiradora o un paño para polvo.

Componentes de plástico:

- Limpie suavemente con un paño ligeramente humedecido con una solución suave de detergente para platos y agua tibia.
- **NUNCA** use limpiadores abrasivos, aerosoles u otros productos que puedan arañar la superficie.

Mantenimiento



¡Riesgo de descarga eléctrica! ¡NO ABRIR ningún panel! ¡El dispositivo no contiene partes para auto-reparación!



Antes de limpiar, mantener o mover la chimenea, debe **apagar SIEMPRE** el calefactor y **desconectar el cable de alimentación de la toma**. El incumplimiento de estas instrucciones puede provocar incendios, **descargas eléctricas o lesiones graves**.

Componentes eléctricos y móviles:

- Los componentes eléctricos están integrados en el dispositivo y no pueden ser reparados individualmente.

Almacenamiento:

Guarde el dispositivo no utilizado en un lugar limpio y seco.



¡ADVERTENCIA! Los componentes eléctricos internos **NO ESTÁN DISEÑADOS** para la reparación propia del usuario.



WEEE:

Utilización y reciclaje:

Este dispositivo no puede desecharse con los residuos municipales normales y no separados. Utilice puntos de recogida especiales. Póngase en contacto con su autoridad local para obtener información sobre los sistemas de recolección disponibles. Si desecha dispositivos eléctricos en vertederos, las sustancias peligrosas pueden filtrarse al agua subterránea y llegar a la cadena alimenticia, lo que puede tener un efecto adverso en la salud y el bienestar.

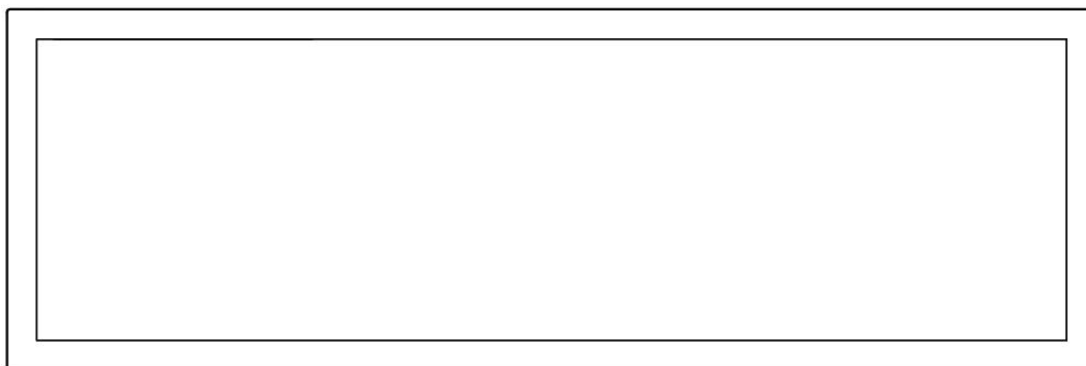
En el caso de reemplazo de aparatos viejos por uno nuevo, el vendedor está legalmente obligado a aceptar el dispositivo viejo para reciclarlo sin ningún cargo adicional.

FOYER ÉLECTRIQUE MURAL - PAS DE CHAUFFAGE

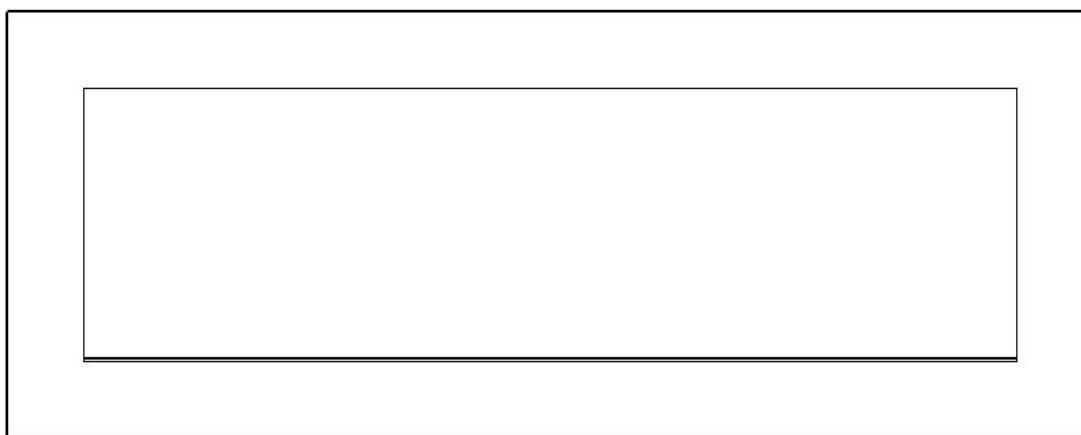
Model# : ■ AV-WM92PRI-S ■ AV-WM115PRI-S ■ AV-WM127PRI-S
■ AV-WM153PRI-S ■ AV-WM165PRI-S ■ AV-WM183PRI-S

Model# : ■ AV-WM105PRI-B ■ AV-WM128PRI-B ■ AV-WM140PRI-B
■ AV-WM166PRI-B ■ AV-WM178PRI-B

MANUEL D'UTILISATION



Foyer électrique encastrable / mural / à cadre léger



Foyer électrique encastrable / mural à grand cadre

AC 220V-240V 50Hz

⚠ AVERTISSEMENT

Avant de raccorder ou d'utiliser l'appareil, lisez et comprenez le manuel d'utilisation complet, y compris toutes les consignes de sécurité. Le non-respect de cette exigence peut entraîner un incendie, un choc électrique ou des blessures graves.

CONSIGNES DE SÉCURITÉ

AVERTISSEMENT

Lorsque vous utilisez de l'équipement électrique, prenez toujours des précautions de base pour réduire les risques d'incendie, de choc électrique et de blessures corporelles, en tenant compte de ce qui suit :

- Lisez toutes les instructions avant d'utiliser cet appareil.
- Lorsqu'il n'est pas utilisé, débranchez l'appareil de l'alimentation électrique.
- N'utilisez pas l'appareil si le câble d'alimentation ou la fiche est endommagée, ou en cas de défaillance de l'appareil, de chute de hauteur. Retournez l'appareil à un centre de service agréé pour inspection, réglage électrique ou mécanique ou réparation.
- L'appareil est conçu uniquement pour un usage à l'intérieur.
- N'utilisez pas l'appareil dans les salles de bains, les buanderies et d'autres endroits similaires. Ne placez jamais l'appareil dans un endroit où il pourrait tomber dans une baignoire ou un autre réservoir d'eau.
- Ne faites pas passer le câble d'alimentation sous un tapis. Ne couvrez pas le câble avec des tapis ou des moquettes. Éloignez le câble des endroits fréquemment utilisés afin que personne ne trébuche dessus.
- Pour arrêter l'appareil, mettez tous les voyants sur "OFF", puis débranchez le câble d'alimentation de la prise murale.
- N'utilisez le foyer que de la façon décrite dans ce manuel. Toute autre utilisation non recommandée par le fabricant peut provoquer un incendie, un choc électrique ou des blessures corporelles.
- Les lampes ne peuvent être remplacées qu'après que le foyer ait été débranché de l'alimentation électrique.
- Cet appareil n'est pas destiné à être utilisé par les personnes (y compris les enfants) ayant des capacités physiques, mentales ou sensorielles réduites ou un manque de connaissances ou d'expérience appropriées, à moins qu'elles ne soient sous la supervision d'une personne responsable de leur sécurité ou qu'elles ne reçoivent des instructions d'une telle personne. Il faut s'assurer que les enfants ne jouent pas avec l'appareil.

Préparation


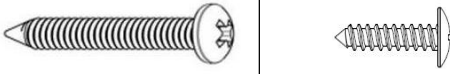
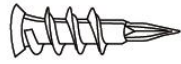
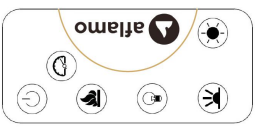

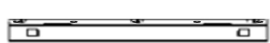
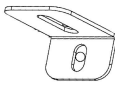



Ce produit est équipé d'un panneau de verre ! Soyez toujours très prudent lorsque vous manipulez du verre. Le non-respect de cette consigne peut entraîner des blessures corporelles ou des dommages matériels.

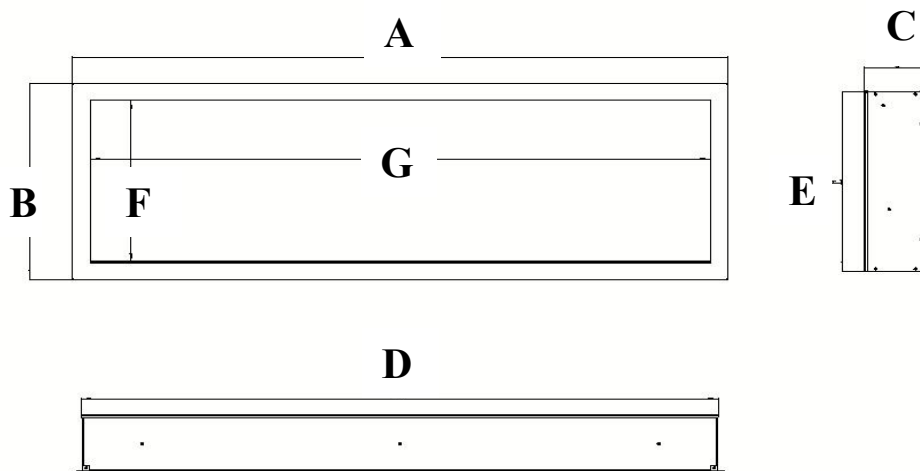
Retirez tous les composants et les éléments de montage du carton et placez-les sur une surface propre, souple et sèche. Vérifiez la liste des pièces pour vous assurer qu'il ne manque rien. Les matériaux d'emballage doivent être éliminés de façon appropriée. Dans la mesure du possible, les déchets devraient être remis pour retraitement.

Les **outils suivants seront nécessaires (non inclus)** : tournevis Phillips, niveau à bulle, mesure, perceuse, marteau.

Composants et éléments de fixation

 <p>A – Foyer</p>	 <p>B – Vis à bois</p>	 <p>C – Ancrages</p>
	 <p>Télécommande</p>	 <p>Bande de lit de braises en plastique</p>
	 <p>E - Support mural Monté à l'arrière du boîtier</p>	 <p>F - Support de montage "L"</p>
		 <p>H - Bûches</p>

Spécification et Dimension



DIMENSIONS DU PRODUIT

Numéro de modèle	A	B	C	D	E	F	G
AV-WM92PRI-S	36" 91.5cm	16.54" 42cm	5.04" 12.8cm	34.53" 87.7cm	15.2" 38.6cm	13.78" 35cm	33.27" 84.5cm
AV-WM115PRI-S	45" 114.3cm	16.54" 42cm	5.04" 12.8cm	43.51" 110.5cm	15.2" 38.6cm	13.78" 35cm	42.24" 107.3cm
AV-WM127PRI-S	50" 127CM	16.54" 42cm	5.04" 12.8cm	48.51" 123.2cm	15.2" 38.6cm	13.78" 35cm	47.24" 120cm
AV-WM153PRI-S	60" 152.4cm	16.54" 42cm	5.04" 12.8cm	58.51" 148.6cm	15.2" 38.6cm	13.78" 35cm	57.24" 145.4cm
AV-WM165PRI-S	65" 165cm	16.54" 42cm	5.04" 12.8cm	63.51" 161.3cm	15.2" 38.6cm	13.78" 35cm	62.2" 158cm
AV-WM183PRI-S	72" 182.8cm	16.54" 42cm	5.04" 12.8cm	70.52" 179.1cm	15.2" 38.6cm	13.78" 35cm	69.21" 175.8cm

DIMENSIONS DU PRODUIT

Numéro de modèle	A	B	C	D	E	F	G
AV-WM105PRI-B	41.14" 104.5cm	21.65" 55cm	5.04" 12.8cm	34.53" 87.7cm	15.2" 38.6cm	13.78" 35cm	33.27" 84.5cm
AV-WM128PRI-B	50.12" 127.3cm	21.65" 55cm	5.04" 12.8cm	43.51" 110.5cm	15.2" 38.6cm	13.78" 35cm	42.24" 107.3cm
AV-WM140PRI-B	55.12" 140CM	21.65" 55cm	5.04" 12.8cm	48.51" 123.2cm	15.2" 38.6cm	13.78" 35cm	47.24" 120cm
AV-WM166PRI-B	65.12" 165.4cm	21.65" 55cm	5.04" 12.8cm	58.51" 148.6cm	15.2" 38.6cm	13.78" 35cm	57.24" 145.4cm
AV-WM178PRI-B	70.08" 178cm	21.65" 55cm	5.04" 12.8cm	63.51" 161.3cm	15.2" 38.6cm	13.78" 35cm	62.2" 158cm
AV-WM196PRI-B	77.09" 195.8cm	21.65" 55cm	5.04" 12.8cm	70.52" 179.1cm	15.2" 38.6cm	13.78" 35cm	69.21" 175.8cm

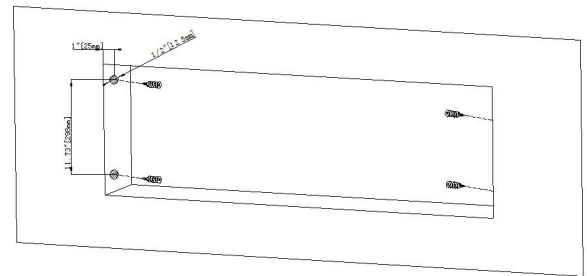
Montage et installation

Attention: Installez le foyer de manière à ce qu'en cas de panne, il puisse être retiré du mur à des fins d'entretien.

MONTAGE ENCASTRÉ DANS LE MUR



(A)

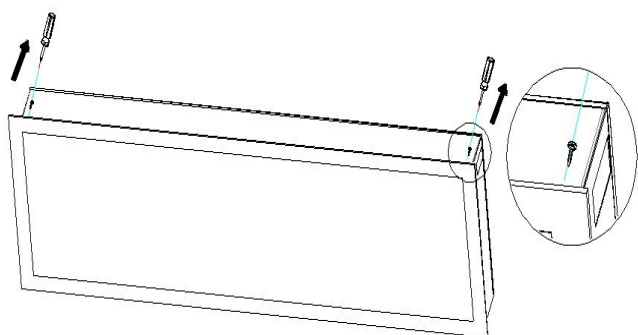


(B)

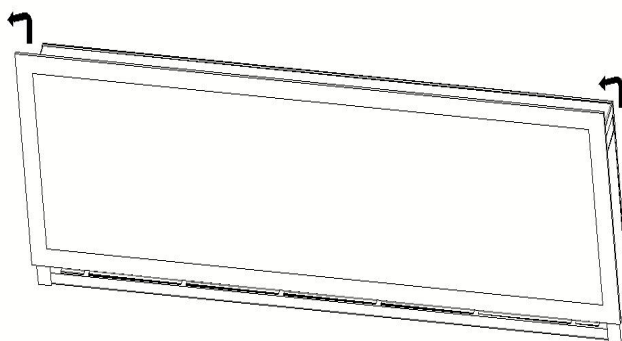
Étape A. Choisissez un mur de plâtre sec pour faire un trou pour le foyer. Consulter le tableau suivant pour connaître les dimensions des trous correspondants. **Figure (A)**

Dimensions du trou		
Numéro de modèle	W	H
AV-WM92PRI-S AV-WM105PRI-B	35.1" (89.2cm)	15.78" (40.1cm)
AV-WM115PRI-S AV-WM128PRI-B	44" (112cm)	15.78" (40.1cm)
AV-WM127PRI-S AV-WM140PRI-B	50.6" (128.5cm)	15.78" (40.1cm)
AV-WM153PRI-S AV-WM166PRI-B	59" (150.1cm)	15.78" (40.1cm)
AV-WM165PRI-S AV-WM178PRI-B	64" (162.8cm)	15.78" (40.1cm)
AV-WM183PRI-S AV-WM196PRI-B	7.1" (180.6cm)	15.78" (40.1cm)

Étape B. Installez trois chevilles de chaque côté de l'appareil selon les dimensions indiquées sur la figure. **Figure (B)**



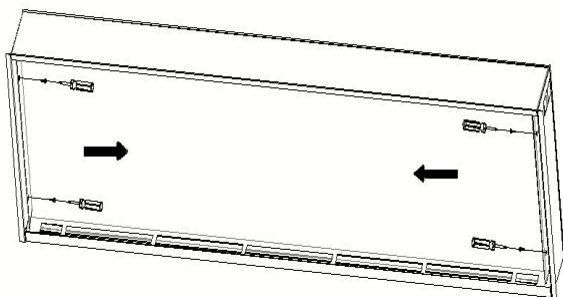
(C)



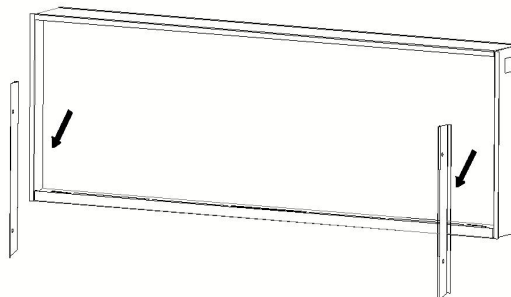
(D)

Étape C. Retirez deux vis des deux côtés du panneau de verre. **Figure (C)**

Étape D. Avec l'aide d'une autre personne, retirez le panneau de verre du foyer. Posez-le sur une surface souple et propre. **Figure (D)**

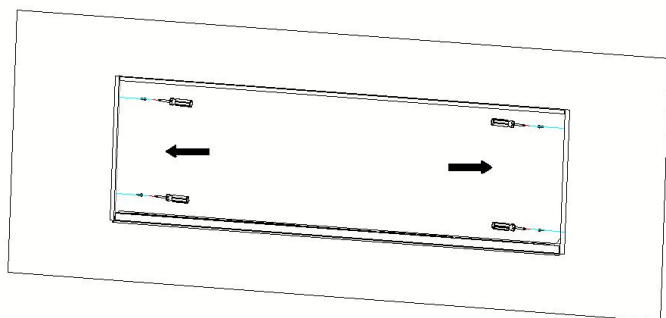


(E)

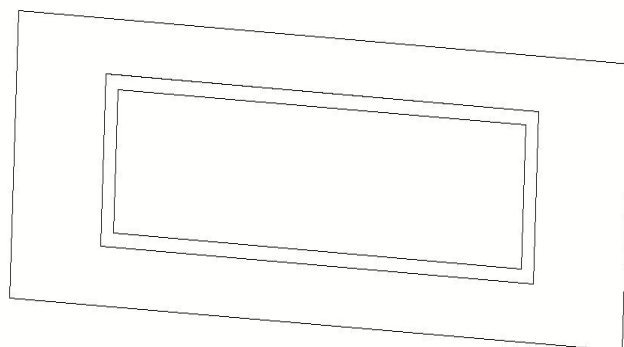


(F)

Étape E. Enlevez les deux vis des deux côtés, puis enlevez les deux supports métalliques, arrêtez-les, car vous devrez les revisser. **Figure (E, F)**



(G)



(H)

Étape F. Avec l'aide d'une autre personne, placez le module du foyer dans l'ouverture murale.

- Utilisez 4 vis (kit d'accessoires) pour fixer l'appareil au mur à l'aide des supports latéraux **Figure (G)**
- Réinstallez les deux tasseaux, puis installez le support et réinstallez la vitre en verre avant. **Figure (H)**

MONTAGE MURAL

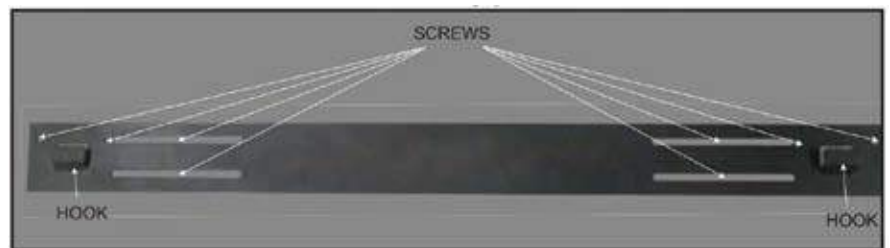
En raison des nombreux matériaux différents utilisés sur les différents murs, il est conseillé de consulter un professionnel avant d'installer cet appareil sur le mur.

A. Choisissez un endroit à l'abri de l'humidité et à au moins 100 cm des matériaux inflammables tels que rideaux, meubles, literie, papier, etc.

B. Pour déterminer l'emplacement final, deux personnes sont nécessaires pour manipuler le foyer.

C. Placez le boîtier face avant vers le bas sur une surface douce et non abrasive. Retirez le support à l'arrière de l'appareil en dévissant les vis, voir Figure 1.

D. Repérez la position et fixez les supports au mur à l'aide des vis fournies. Les crochets du support DOIVENT être orientés vers le haut et le support lui-même doit être nivelé. **ATTENTION : Il est fortement recommandé de visser le support de montage (E) aux chevilles murales dans la mesure du possible. Si vous ne pouvez pas utiliser de vis murales, assurez-vous que les ancrages en plastique fournis sont utilisés pour fixer le support au mur et que le support est correctement fixé.**



E. Après avoir installé le support mural, soulevez l'appareil avec l'aide d'une autre personne et placez les deux crochets du support dans les trous du panneau arrière de l'appareil.

F. Vérifiez la stabilité de l'appareil en vous assurant que le support ne glisse pas hors du mur.

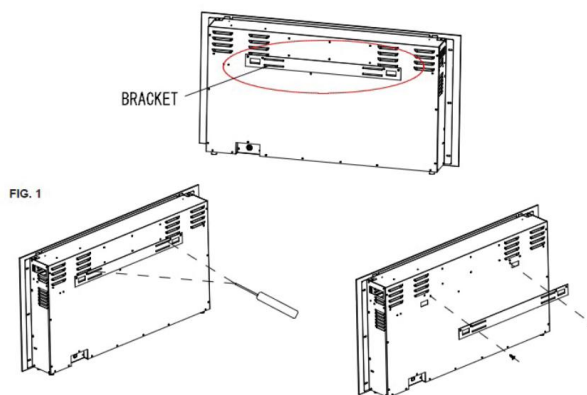


Illustration du support mural

Installation du tasseau en forme de «L»

Après avoir fait l'installation du ou des supports muraux

A. Retirez la vis argentée située au bas de l'appareil. (**Fig. 1-1**). Réglez la vis de côté.

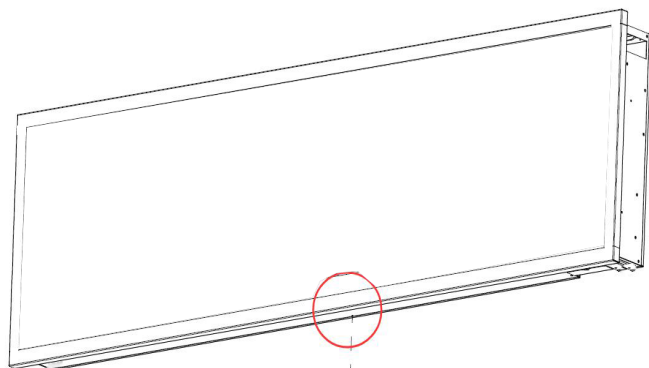


Fig 1-1

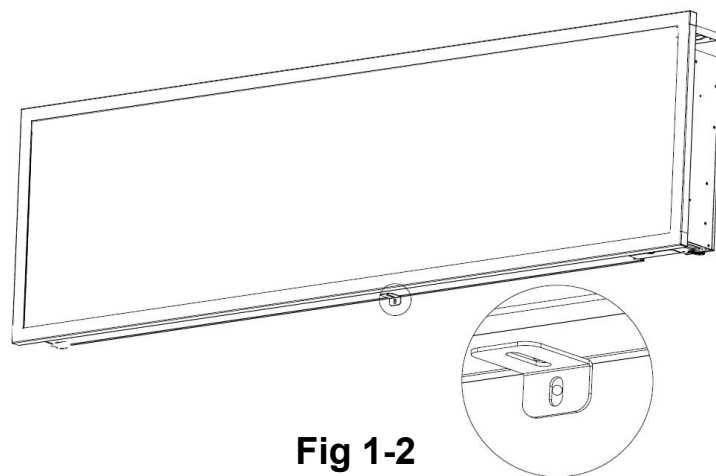


Fig 1-2

B. À l'aide de la vis retirée précédemment, fixez le tasseau en L (fourni) au bas de la boîte du foyer. (**Fig 1-2**)

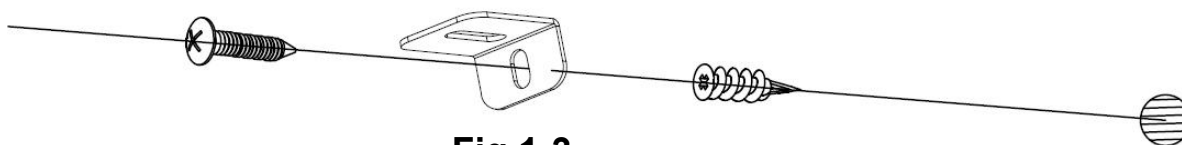


Fig 1-3

C. Installez l'ancrage en plastique dans le mur sec, puis installez la vis **B** (fournie) dans le trou du tasseau en L dans l'ancrage mural pour empêcher le foyer de se détacher des crochets. (**Fig 1-3**)

Montage du jeu de bûches / cristaux / pierres ornementales

(NOTE : montage selon le type de foyer acheté ou choisi.)

A. Avant d'installer le jeu de bûches / cristaux / pierres ornementales, l'appareil doit être installé à l'endroit prévu et la vitre avant doit être enlevée.

B. C Placez avec soin la bande de lit de braises en plastique à la fente, puis mettez les cristaux / galets et braises sur la surface du lit de braises comme illustré. Mettez une couche uniforme d'un côté à l'autre.

Figure 1, Figure 2.



Figure 1. (Cristaux)



Figure 2. (Pierres)

Installation facultative de jeu de bûches

Placez soigneusement le jeu de bûches sur l'emplacement prévu (voir illustration ci-dessous) (Figure 3.)



Figure 3. (Jeu de bûches)

Utilisation



Avant de **raccorder** ou d'**utiliser** l'appareil, **lisez et comprenez** le manuel d'utilisation complet, y compris **toutes les consignes de sécurité**. Le non-respect de cette exigence peut entraîner un **incendie, un choc électrique, des blessures graves ou la mort**.

Mise sous tension

Branchez le câble d'alimentation à une prise AC 220-240 V (voir **INSTRUCTIONS DE SÉCURITÉ IMPORTANTES pages 2 et 3**). Assurez-vous que la prise de courant est en bon état et que la fiche n'est pas desserrée. **NE dépassez JAMAIS** le courant admissible pour le circuit. **NE branchez pas** d'autres appareils au même circuit.

Modes d'utilisation



Ce foyer électrique peut être utilisé **UNIQUEMENT** par la **TÉLÉCOMMANDE**.





Avant d'utiliser l'appareil, lisez les **INSTRUCTIONS DE SÉCURITÉ IMPORTANTES** sur les **pages 2 et 3** et suivez-les.



Remote Control

Remote Control Operation

BUTTON	FUNCTION	ACTION & INDICATION
 POWER	<p>ACTIVÉE Active les fonctions du panneau de commande et de la télécommande. Active l'effet de flamme.</p> <p>DÉSACTIVÉE Verrouille les fonctions du panneau de commande et de la télécommande. Désactive l'effet de flamme.</p>	<ol style="list-style-type: none"> Appuyez une fois : Le voyant s'allumera. Activation de l'alimentation électrique. Toutes les fonctions sont actives. Appuyez à nouveau : L'effet de flamme s'éteint. L'appareil est en mode veille. Toutes les fonctions sont inactives.
 SPEED	<p>Vitesse de l'effet : Vitesse de changer l'effet de flamme. Il y a 3 niveaux de vitesse : 01 (lent), 02 (moyen), 03 (rapide), 04 (le plus rapide).</p>	<ol style="list-style-type: none"> Appuyez une fois. Le voyant s'allumera. Il y a un changement de vitesse Appuyez à nouveau jusqu'à ce que le réglage désiré soit atteint. La valeur par défaut est 02.

 FLAME COLOR	<p>Bouton de COULEUR : Changement de couleur pour l'effet de flamme.</p> <p>ATTENTION : L'effet de couleur reste activé jusqu'à ce que le bouton d'alimentation soit appuyé. L'effet de couleur de la flamme doit être activé pour que le dispositif de chauffage démarre.</p>	<ol style="list-style-type: none"> 1. Appuyez une fois : Changement de couleur de la flamme. 2. Appuyez à nouveau jusqu'à ce que le réglage désiré soit atteint. 3 couleurs disponibles.
 FLAME BRIGHTNESS	<p>Bouton de FLAMME : permet de régler la luminosité de la flamme.</p> <p>ATTENTION : L'effet de flamme reste activé jusqu'à ce que le bouton d'alimentation soit appuyé. L'effet de flamme doit être activé pour que le dispositif de chauffage démarre.</p>	<ol style="list-style-type: none"> 1. Appuyez une fois : Changement de la luminosité de l'effet de flamme. 2. Appuyez à nouveau jusqu'à ce que le réglage désiré soit atteint.
 EMBER LIGHTS	<p>Bouton de rétro-éclairage des bûches: Fait changer la couleur au bas de l'effet.</p> <p>ATTENTION : L'effet de couleur reste activé jusqu'à ce que le bouton d'alimentation soit appuyé.</p> <p>ATTENTION : Ce foyer a une fonction de sauvegarde des réglages de rétro-éclairage.</p>	<ol style="list-style-type: none"> 1. Appuyez une fois. Changement de couleur du rétro-éclairage. 2. Appuyez à nouveau jusqu'à ce que le réglage désiré soit atteint. 10 couleurs disponibles. 3. Cycle automatique : Lorsque vous appuyez 11 fois sur cette touche, les couleurs du rétroéclairage changent automatiquement (REMARQUE : Le changement de couleur prend 15 secondes.)
 EMBER BRIGHTNESS	<p>Luminosité du rétroéclairage: Changement de luminosité du rétro-éclairage.</p> <p>ATTENTION : La luminosité du rétroéclairage reste active jusqu'à ce que le bouton d'alimentation soit appuyé.</p>	<ol style="list-style-type: none"> 1. Appuyez une fois. Changement de luminosité du rétro-éclairage. 2. Appuyez à nouveau jusqu'à ce que le réglage désiré soit atteint. 5 niveaux disponibles.

ATTENTION Pour améliorer le fonctionnement, **pointez** la télécommande vers l'avant du foyer. **N'appuyez PAS trop vite sur les boutons**. Attendez un moment jusqu'à ce que l'appareil réponde aux commandes.

Informations sur les piles de la télécommande

- La télécommande utilise une pile CR2025 (fournie)



Ne jetez pas les piles au feu. Le non-respect de cette consigne **peut entraîner une explosion**. Les piles usagées doivent être jetées dans des conteneurs spécialement identifiés ou transférées au point de collecte sélective des déchets communautaires.

Nettoyage et entretien

Nettoyage



Éteignez **TOUJOURS** le dispositif de chauffage et **débranchez le câble d'alimentation de la prise murale** avant de nettoyer, entretenir ou déplacer le foyer. Le non-respect de cette exigence peut entraîner un **incendie, un choc électrique ou des blessures graves**.



N'immergez JAMAIS l'appareil dans l'eau ou ne le pulvérisez pas avec de l'eau. Vous risqueriez de provoquer un **choc électrique, un incendie ou des blessures corporelles**.

Pièces métalliques :

- Polir avec un chiffon sec légèrement humidifié avec un nettoyant à base d'huile d'agrumes.
- **N'UTILISEZ PAS** de produits à polir le laiton ou de nettoyants ménagers car ces produits peuvent endommager le fini métallique.

Pièces en verre :

- Utilisez un nettoyant pour vitres de haute qualité, vaporisé sur un chiffon ou une serviette. Essuyez soigneusement avec un essuie-tout ou un chiffon non pelucheux.
- **N'utilisez JAMAIS** de nettoyants abrasifs, d'aérosols ou d'autres produits qui peuvent gratter la surface.

Grilles de ventilation :

- Enlevez la poussière et la saleté des surfaces du dispositif de chauffage et de la grille à l'aide d'un aspirateur ou d'un chiffon.

Pièces en plastiques :

- Essuyez doucement avec un chiffon légèrement humidifié avec une solution douce de liquide vaisselle et d'eau tiède.
- **N'utilisez JAMAIS** de nettoyants abrasifs, d'aérosols ou d'autres produits qui peuvent gratter la surface.

Entretien



Risque de chocs électriques ! N'OUVREZ AUCUN panneau ! L'appareil ne contient aucune pièce à réparer par l'utilisateur !



Éteignez TOUJOURS le dispositif de chauffage et **débranchez le câble d'alimentation de la prise murale** avant de nettoyer, entretenir ou déplacer le foyer. Le non-respect de cette exigence peut entraîner un **incendie, un choc électrique pu des blessures graves.**

Pièces électriques et mobiles :

- Les composants électriques sont intégrés dans l'appareil et ne peuvent pas être réparés par l'utilisateur.

Stockage :

Lorsque l'appareil n'est pas utilisé, stockez-le dans un endroit propre et sec.



AVERTISSEMENT ! Les composants électriques internes **ne sont PAS destinés** à être réparés par l'utilisateur.



WEEE:

Élimination et recyclage :

Ne jetez pas cet appareil avec les déchets municipaux ordinaires non triés. Utilisez des points de collecte spéciaux. Contactez les autorités locales pour obtenir des renseignements sur les systèmes de collecte disponibles. Lors de l'élimination d'équipements électriques à des décharges, des substances dangereuses peuvent pénétrer dans les eaux souterraines et dans la chaîne alimentaire, ce qui peut avoir un effet négatif sur la santé et le bien-être.

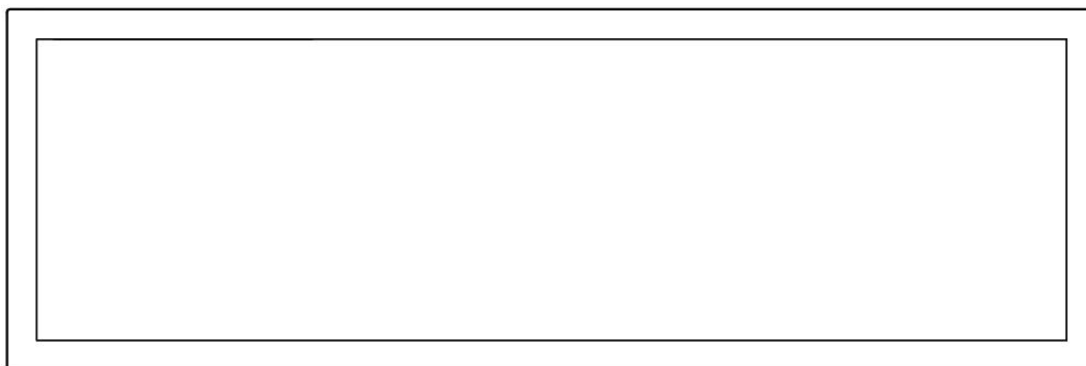
Si vous remplacez des appareils usagés par des appareils neufs, le vendeur est tenu par la loi de les reprendre pour les éliminer sans frais supplémentaires.

NÁSTĚNNÝ ELEKTRICKÝ KRB - BEZ TEPLA

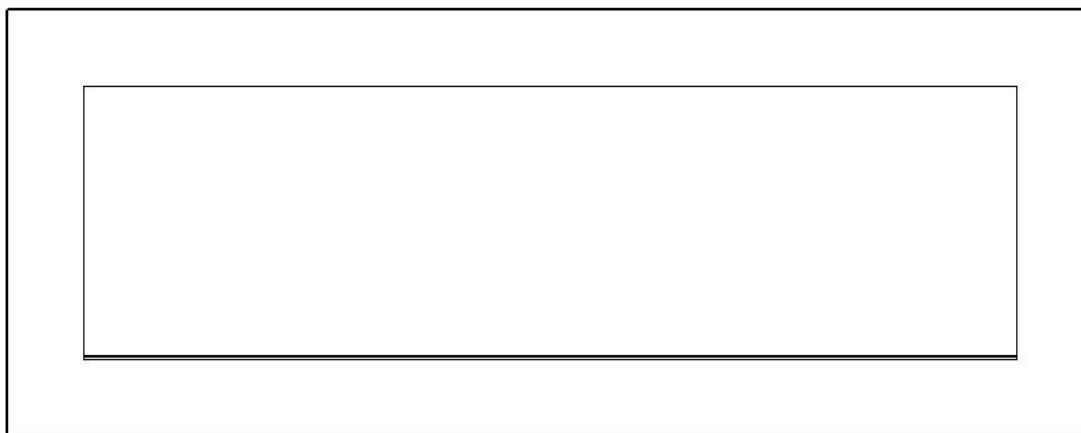
Model# : ■ AV-WM92PRI-S ■ AV-WM115PRI-S ■ AV-WM127PRI-S
■ AV-WM153PRI-S ■ AV-WM165PRI-S ■ AV-WM183PRI-S

Model# : ■ AV-WM105PRI-B ■ AV-WM128PRI-B ■ AV-WM140PRI-B
■ AV-WM166PRI-B ■ AV-WM178PRI-B

UŽIVATELSKÝ NÁVOD



Tenký rám na zeď/Vestavěný elektrický krb



Plastový proužek uhlíkového lože

AC 220V-240V 50Hz



**UPOZOR
NĚNÍ**

Před zapojením nebo použitím zařízení, přečtěte s pochopením celý uživatelský návod se zohledněním všech informací týkajících se bezpečnosti. Nedodržení tohoto požadavku může mít za následek vznik ohně, zasažení elektrickým proudem nebo vážná poranění těla.

DŮLEŽITÉ BEZPEČNOSTNÍ POKYNY:

UPOZORNĚNÍ:

Během používání elektrických zařízení je třeba vždy dodržovat základní bezpečnostní prostředky za účelem snížení rizika požáru, zásahu elektrickým proudem a zranění osob, se zohledněním níže uvedených pokynů:

- Přečtěte všechny návody před použitím tohoto zařízení.
- Nepoužívané zařízení je třeba vypojit z napájení.
- Nespouštějte zařízení s poškozeným napájecím kabelem nebo zástrčkou, nebo v případě poruchy zařízení pádu z výšky. Zařízení je třeba odevzdat do autorizovaného servisu za účelem prozkoumání, elektrického nebo mechanického nastavení nebo opravy.
- Zařízení je určeno výlučně k použití vevnitř budovy.
- Zařízení nepoužívejte v koupelnách, prádelnách a podobných místnostech. Zařízení nikdy neumísťujte v místech, kde může spadnout do vany nebo jiné nádrže s vodou.
- Napájecí kabel nevedte pod krytinou. Kabel nezakrývejte koberci, běhouny a jinými krytinami. Kabel vedte zdaleka od často navštěvovaných míst a takovým způsobem, aby se nikdo o něj neklopýtnul.
- Za účelem vypojení zařízení, vypněte všechny kontrolky do polohy „OFF” a následně vytáhněte zástrčku ze zásuvky.
- Krb používejte způsobem znázorněným v tomto návodu. Všechna jiná použití nedoporučované výrobcem mohou způsobit požár, zasažení elektrickým proudem nebo poranění osob.
- Svítidla lze vyměňovat výlučně po vypojení krbu z napájení.
- Toto zařízení není určeno k používání osobami (včetně dětí) se sníženými fyzickými, duševními nebo vněmovými schopnostmi nebo osobami, které nemají příslušné vědomosti nebo zkušenosti, ledaže se nachází pod dozorem osoby odpovědné za jejich bezpečnost nebo byly ní poučeny v rozsahu používání zařízení. Je třeba dbát na to, aby děti se nehráli se zařízením.

Příprava



Tento výrobek je vybaven **skleněným panelem!** Vždy během přenášení **skla** je třeba zachovat **zvláštní opatrnost**. Nedodržení tohoto pokynu může mít za následek zranění těla nebo poškození majetku.

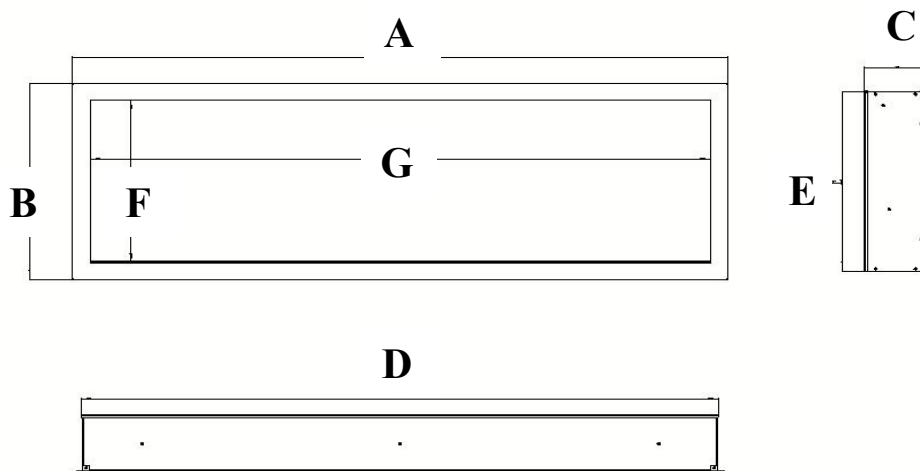
Vyberte všechny soustrojí a montážní dílce z kartonu a položte je na čistém, měkkém a suchém podkladu. Zkontrolujte seznam dílců za účelem ujištění, že nic nechybí. Balící materiály je třeba zlikvidovat vhodným způsobem. Vždy, když je to možné, je třeba odevzdávat odpady na opětovné zpracování.

Potřebné bude následující náradí (nepředstavují vybavení): křížový šroubovák; vodováha; měřítko; vrtačka; kladivo.

Soustrojí a montážní dílce

<p>A – Krb</p>	<p>B – Zápustné šrouby do dřeva</p>	<p>C – Kotvy</p>	
	<p>Ovladač dálkového ovládání</p>	<p>Plastový proužek uhlíkového lože</p>	
	<p>E - Nástěnný držák Montován v zadní části krytu</p>	<p>F-Montážní držák "L"</p>	<p>G-Ozdobné Krystalky/kamínky</p>

Specifikace a rozměry



ROZMĚRY VÝROBKU

Číslo modelu	A	B	C	D	E	F	G
AV-WM92PRI-S	36" 91.5cm	16.54" 42cm	5.04" 12.8cm	34.53" 87.7cm	15.2" 38.6cm	13.78" 35cm	33.27" 84.5cm
AV-WM115PRI-S	45" 114.3cm	16.54" 42cm	5.04" 12.8cm	43.51" 110.5cm	15.2" 38.6cm	13.78" 35cm	42.24" 107.3cm
AV-WM127PRI-S	50" 127CM	16.54" 42cm	5.04" 12.8cm	48.51" 123.2cm	15.2" 38.6cm	13.78" 35cm	47.24" 120cm
AV-WM153PRI-S	60" 152.4cm	16.54" 42cm	5.04" 12.8cm	58.51" 148.6cm	15.2" 38.6cm	13.78" 35cm	57.24" 145.4cm
AV-WM165PRI-S	65" 165cm	16.54" 42cm	5.04" 12.8cm	63.51" 161.3cm	15.2" 38.6cm	13.78" 35cm	62.2" 158cm
AV-WM183PRI-S	72" 182.8cm	16.54" 42cm	5.04" 12.8cm	70.52" 179.1cm	15.2" 38.6cm	13.78" 35cm	69.21" 175.8cm

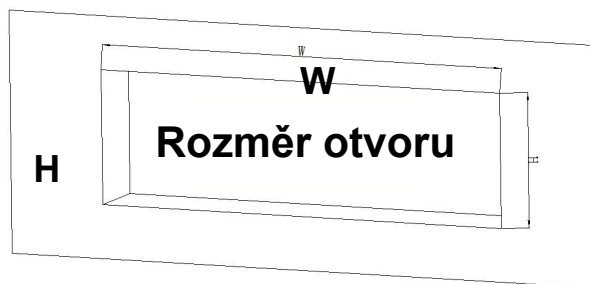
ROZMĚRY VÝROBKU

Číslo modelu	A	B	C	D	E	F	G
AV-WM105PRI-B	41.14" 104.5cm	21.65" 55cm	5.04" 12.8cm	34.53" 87.7cm	15.2" 38.6cm	13.78" 35cm	33.27" 84.5cm
AV-WM128PRI-B	50.12" 127.3cm	21.65" 55cm	5.04" 12.8cm	43.51" 110.5cm	15.2" 38.6cm	13.78" 35cm	42.24" 107.3cm
AV-WM140PRI-B	55.12" 140CM	21.65" 55cm	5.04" 12.8cm	48.51" 123.2cm	15.2" 38.6cm	13.78" 35cm	47.24" 120cm
AV-WM166PRI-B	65.12" 165.4cm	21.65" 55cm	5.04" 12.8cm	58.51" 148.6cm	15.2" 38.6cm	13.78" 35cm	57.24" 145.4cm
AV-WM178PRI-B	70.08" 178cm	21.65" 55cm	5.04" 12.8cm	63.51" 161.3cm	15.2" 38.6cm	13.78" 35cm	62.2" 158cm
AV-WM196PRI-B	77.09" 195.8cm	21.65" 55cm	5.04" 12.8cm	70.52" 179.1cm	15.2" 38.6cm	13.78" 35cm	69.21" 175.8cm

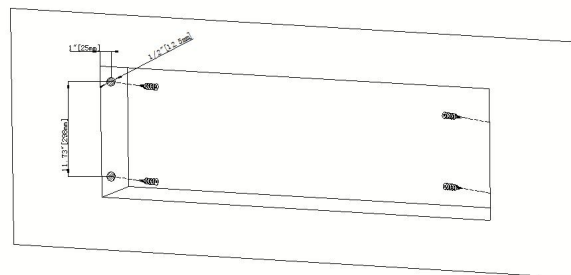
Montáž a instalování

Upozornění: Krb instalujte tak, aby jej bylo možné v případě poruchy sejmout ze stěny pro servisní účely.

MONTÁŽ V ZÁSTAVBĚ STĚNY



(A)

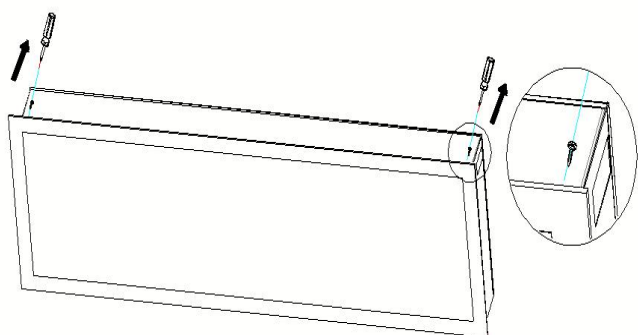


(B)

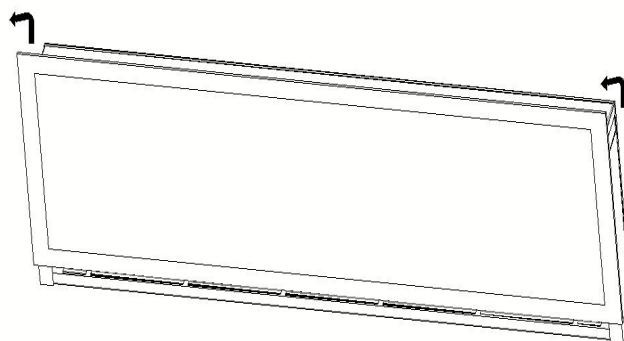
Krok A. Zvolte stěnu ze suché omítky za účelem provedení otvoru pro krb. Vhodné rozměry otvoru je třeba zkontrolovat v níže uvedené tabulce. **Obrázek (A)**

Rozměr otvoru		
Číslo modelu	W	H
AV-WM92PRI-S AV-WM105PRI-B	35.1" (89.2cm)	15.78" (40.1cm)
AV-WM115PRI-S AV-WM128PRI-B	44" (112cm)	15.78" (40.1cm)
AV-WM127PRI-S AV-WM140PRI-B	50.6" (128.5cm)	15.78" (40.1cm)
AV-WM153PRI-S AV-WM166PRI-B	59" (150.1cm)	15.78" (40.1cm)
AV-WM165PRI-S AV-WM178PRI-B	64" (162.8cm)	15.78" (40.1cm)
AV-WM183PRI-S AV-WM196PRI-B	7.1" (180.6cm)	15.78" (40.1cm)

Krok B. Namontujte tři rozpěrné kolíky na každé straně zařízení, shodně s rozměry uvedenými na obrázku. **Obrázek (B)**



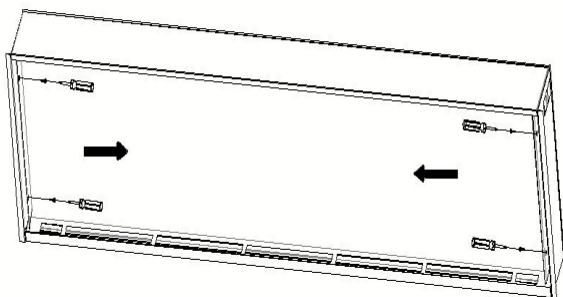
(C)



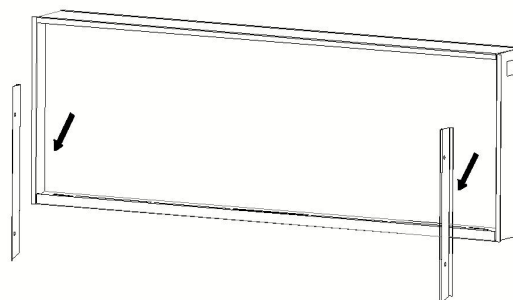
(D)

Krok C. Vytáhněte dva šrouby z obou stran skleněného panelu. **Obrázek (C)**

Krok D. S pomocí druhé osoby sundejte skleněný panel z krbu. Položte jej na měkkém a čistém podkladu. **Obrázek (D)**

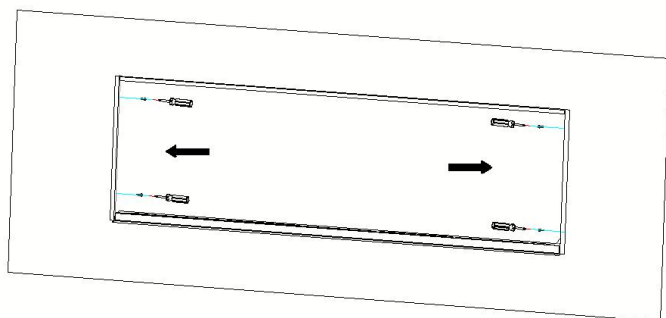


(E)

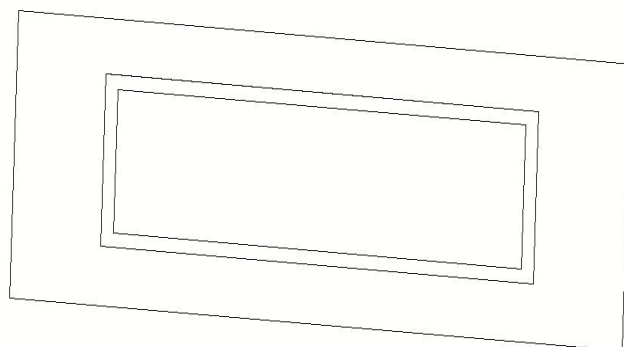


(F)

Krok E. Vyjměte dva šrouby z obou stran, pak vyjměte dvě kovové rukojeti, zastavte je, protože je budete muset znovu zašroubovat. **Obrázek (E, F)**



(G)



(H)

Krok F. Pomocí druhé osoby umístěte komunikační modul do otvoru stěny.

- Použijte 4 šrouby (výbava sady) k uzamčení zařízení na stěně s pomocí bočních úchytů **Obrázek (G)**
- Přeinstalujte dva držáky, poté nainstalujte médium a znovu nainstalujte přední sklo. **Obrázek (H)**

NÁSTĚNNÁ MONTÁŽ

Z důvodu mnoha různých materiálů používaných na různých zdech, doporučuje se konzultace s profesionálem před nainstalováním tohoto zařízení na stěně.

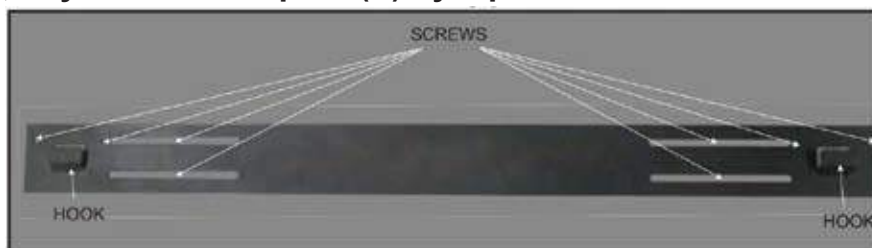
A. Zvolte místo, které nepodléhá vlhku a nachází se nejméně 100 cm od snadno hořlavých materiálů, takových jakými jsou záclony, nábytek, postel, papír atd.

B. Pro určení konečné lokalizace jsou zapotřebí dvě osoby pro držení.

C. Kryt umístěte přední částí dolů na měkký, nedrsný povrch. Vyberte vzpěru ze zadní části zařízení vyšroubováním šroubů, viz Obrázek 1.

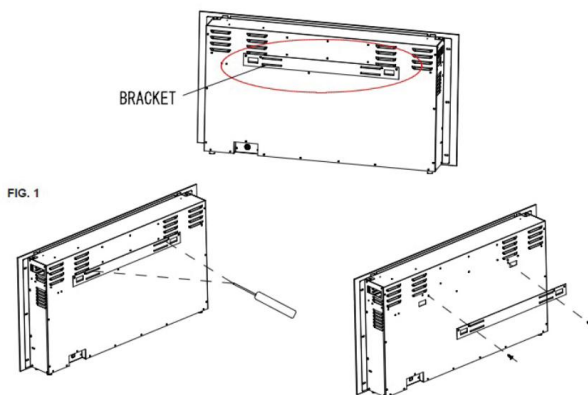
D. Označte polohu a následně připevněte vzpěry do stěny prostřednictvím dodaných šroubů. Úchytky vzpěry MUSÍ být nasměrovány nahoru a samotnou vzpěru je třeba nivelovat.

POZOR: Rozhodně se doporučuje, aby montážní vzpěra (E) byla přišroubovaná ke nástěnným kolíkům tam, kde to lze. Není-li možné použít nástěnné zápusťné šrouby, ujistěte se, že dodané plastové kotvy jsou použity k připevnění vzpěry ke stěně, a vzpěra je vhodně zajištěna.



E. Po nainstalování nástěnné montážní vzpěry, s pomocí druhé osoby zvedněte zařízení a nasadte dvě úchytky vzpěry v otvorech na zadní stěně zařízení.

F. Zkontrolujte stabilitu zařízení, ujistěte se, že vzpěra se nevysune ze stěny.

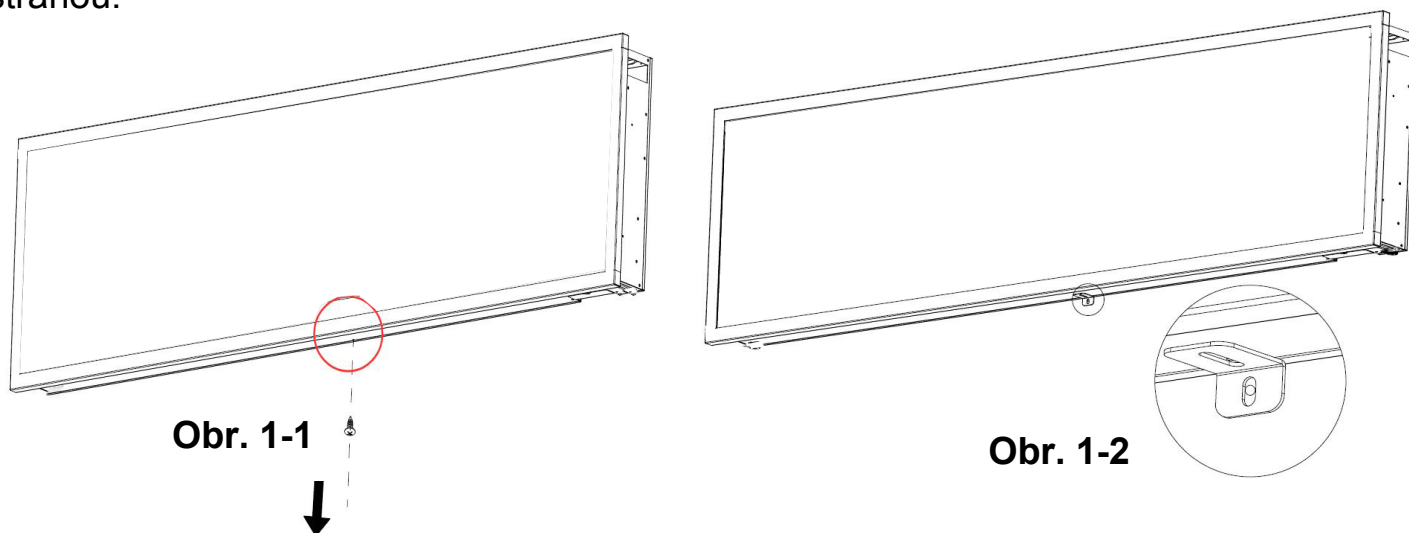


Ilustrace představující nástěnnou vzpěru

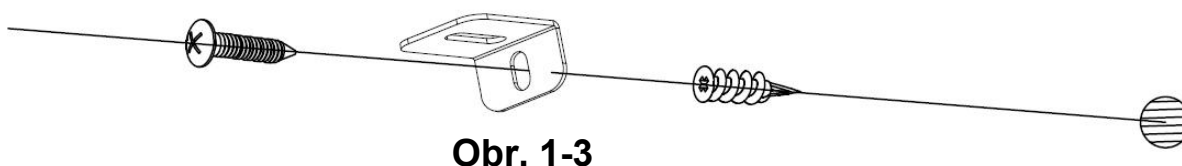
Instalace držáku tvaru „L“

Po instalaci nástěnného držáku (držáků)

A. Odstraňte stříbrný šroub na spodní straně zařízení. (**Obr. 1-1**). Odložte šroub stranou.



B. Pomocí dříve vyjmutého šroubu připevněte L-držák (součást dodávky) ke spodní části krbové skříně. (**Obr. 1-2**)



C. Namontujte plastovou kotvu do suché stěny a poté namontujte šroub **B** (součást dodávky) do otvoru L-držáku do nástěnné kotvy, abyste zajistili krb před vypadnutím z háčků. (**Obr. 1-3**)

Montáž sady polen / krystálků / ozdobných kamíneků

(**POZOR:** montáž provedte v souladu se zakoupeným nebo zvoleným druhem ohniště)

A. Před přistoupením k montáži sady polen / krystálků / ozdobných kamíneků, zařízení musí být nainstalováno v cílovém místě a je třeba sundat přední skleněné okno.

B. Opatrně umístěte plastový proužek uhlíkového lože do slotu a poté umístěte krystaly/oblázky uhlíků na povrch uhlíkového lože, tak jak je znázorněno. Aplikujte rovnoměrnou vrstvu ze strany na stranu.

Obrázek 1, obrázek 2.



Obrázek 1. (Krystalky)



Obrázek 2. (Kamínky)

Volitelná instalační sada

Opatrně umístěte instalační sadu do určeného slotu (viz obrázek níže) (obrázek 3)



Obrázek 3. (Instalační sada)

Obsluha



Před zapojením nebo použitím zařízení, přečtěte s pochopením celý uživatelský návod se zohledněním všech informací týkajících se bezpečnosti. Nedodržení tohoto požadavku může mít za následek vznik ohně, zasažení elektrickým proudem nebo vážná poranění těla nebo smrt.

Zapojení do napájení

Zapojte napájecí kabel do zásuvky AC 220-240 V (viz **DŮLEŽITÉ BEZPEČNOSTNÍ NÁVODY** na stranách 2 a 3). Ujistěte se, že zásuvka je v dobrém technickém stavu a zástrčka není volná. NIKDY nepřekračujte povolenou intenzitu proudu pro obvod. **NEzapojujte** jiná zařízení do stejného obvodu.

Způsoby obsluhy



Tento elektrický krb může být ovládán POUZE DÁLKOVÝM OVLÁDÁNÍM.

Před přistoupením k obsluze se seznamte s **PLATNÝMI BEZPEČNOSTNÍMI NÁVODY** na stranách 2 a 3 a dodržujte je.



Dálkové ovládání

Obsluha ovladače

TLAČÍTKO	FUNKCE	FUNGOVÁNÍ A SIGNALIZACE
 POWER	ZAP.: Aktivuje funkci ovládacího panelu a ovladače. Zapíná efekt plamene. VYP: Blokuje funkci ovládacího panelu a ovladače. Vypíná efekt plamene.	<ol style="list-style-type: none">1. Stiskněte jednou: Kontrolka bude svítit. Zapojení napájení. Všechny funkce jsou aktivní.2. Stiskněte opět: Efekt plamene je vypnutý. Zařízení je v režimu čekání. Všechny funkce jsou neaktivní.
 SPEED	Rychlost efektu: Změňte rychlost efektu plamene. Existují 3 úrovně rychlosti: 01 (pomalá), 02 (střední), 03 (rychlá), 04 (nejrychlejší).	<ol style="list-style-type: none">1. Zmáčkní jednou. Světlo se rozsvítí. Změní se rychlost2. Stiskněte znovu, dokud nedostanete požadované nastavení. Výchozí hodnota 02.

 FLAME COLOR	<p>Tlačítko PLAMENU: nastavení jasu plamene. POZOR: Efekt plamene zůstává zapojen do okamžiku stisknutí tlačítka napájení. Efekt plamene musí být zapojen za účelem spuštění topného tělesa.</p>	<ol style="list-style-type: none"> 1. Stiskněte jednou: Změna jasu efektu plamene. 2. Stiskněte opět dokud nedosáhnete požadovaného nastavení. K dispozici jsou 3 barvy.
 FLAME BRIGHTNESS	<p>Tlačítko PLAMENE: nastavení jasu plamene. POZOR: Efekt plamene zůstává zapojen do okamžiku stisknutí tlačítka napájení. Efekt plamene musí být zapojen za účelem spuštění topného tělesa.</p>	<ol style="list-style-type: none"> 1. Stiskněte jednou: Změna jasu efektu plamene. 2. Stiskněte opět dokud nezískáte požadované nastavení.
 EMBER LIGHTS	<p>Tlačítko podsvícení mýtin: změní barvu v dolní části efektu. POZNÁMKA: Barevný efekt zůstane aktivní, dokud není stisknuto tlačítko napájení. POZNÁMKA: Tento krb má funkci pro zapamatování nastavení podsvícení.</p>	<ol style="list-style-type: none"> 1. Stiskněte jednou. Změna barvy podsvícení. 2. Stiskněte znovu, dokud nedostanete požadované nastavení. 10 dostupných barev. 3. Automatický cyklus: Po 11 stisknutí se barvy podsvícení automaticky změní (POZNÁMKA: změna barvy trvá 15 sekund.)
 EMBER BRIGHTNESS	<p>Jas podsvícení: Změňte jas podsvícení. POZNÁMKA: Jas podsvícení zůstává aktivní, dokud není stisknuto tlačítko napájení.</p>	<ol style="list-style-type: none"> 1. Zmáčkní jednou. Změna jasu podsvícení. 2. Stiskněte znovu, dokud nedostanete požadované nastavení. 5 dostupných úrovní. Od L1 - L2 - L3 - L4 - L5

POZOR

Za účelem zlepšení činnosti, **nasměřujte** ovladač na přední část krbu. **NEstiskejte tlačítka příliš rychle.** Počkejte chvíli než zařízení zareaguje na jednotlivé pokyny.

Informace o bateriích ovladače

- Dálkové ovládání používá jednu baterii CR2025 (součástí balení)



NIKDY nevhazujte baterie do **ohně**. Jednání nezhodné s tímto požadavkem **může hrozit výbuchem**. Použité baterie je třeba vyhazovat do speciálně označených nádob a odevzdat je ve Středisku Tříděného Sběru Komunálního Odpadu.

Čištění



Před zahájením čištění, údržby nebo přenášení krby, je třeba **VŽDY vypínat** topné těleso a **vypojit napájecí kabel ze zásuvky**. Nedodržení tohoto požadavku může mít za následek **vznik ohně, zasažení elektrickým proudem nebo poranění těla**.



NIKDY zařízení **nezanuřujte ve vodě ani nestříkejte na něj vodu**. Takové jednání může mít za následek **vznik ohně, zasažení elektrickým proudem nebo poranění těla**.

Kovové dílce:

- Leštíte suchým hadříkem, jemně navlhčeným v čistícím přípravku na bázi citrusových olejků.
- **NEpoužívejte** prostředky k leštění mosaze nebo domácí čistící prostředky, protože tyto výrobky poškozují kovové provedení.

Skleněné dílce:

- Používejte vysoce kvalitní prostředek na mytí skleněných ploch, rozprašován na hadřík nebo ručník. Důkladně osušte papírovým ručníkem nebo netřepícím hadříkem.
- **NIKDY** nepoužívejte brusné čistící prostředky, aerosole nebo jiné výrobky, které můžou poškrábat povrch.

Ventilační mřížky:

- Odstraňte prach a nečistoty z topného tělesa a povrchu mřížek prostřednictvím vysavače nebo hadříku na prach.

Plastové dílce:

- Jemně utřete hadříkem, jemně navlhčeným v jemném roztoku prostředku na mytí nádobí a teplé vody.
- **NIKDY** nepoužívejte brusné čistící prostředky, aerosole nebo jiné výrobky, které můžou poškrábat povrch.

Údržba



Riziko zasažení proudem! NEOTVÍREJTE žádné panely! Zařízení neobsahuje díly určeny k samostatné opravě!



Před zahájením čištění, údržby nebo přenášení krby, **VŽDY vypínejte** topné těleso a **vypojte napájecí kabel ze zásuvky**. Nedodržení tohoto požadavku může mít za následek vznik ohně, zasažení elektrickým proudem nebo poranění těla.

Elektrické a pohyblivé díly:

- Motory ventilátorů byly výrobně namazány a nevyžadují pozdější namazání.
- Elektrické díly jsou integrovány v zařízení a nesmí být samostatně opravovány.

Přechovávání:

- Nepoužívané zařízení je třeba přechovávat na čistém, suchém místě.



UPOZORNĚNÍ! Vnitřní elektrické díly **NEJSOU URČENY** k samostatné opravě uživatelem.



WEEE:

Likvidace a recyklace:

Toto zařízení nesmíte vyhazovat s obyčejným, netříděným komunálním odpadem. Je třeba používat speciální sběrná místa. Za účelem získání informací týkajících se dostupných systémů sběru odpadů je třeba kontaktovat místní orgány. V případě likvidace elektrických zařízení na smetištích nebo skládkách odpadu může dojít k průniku nebezpečných látek do podzemních vod a jejich průniku do potravinového řetězce, což může mít negativní vliv na zdraví a sebevědomí.

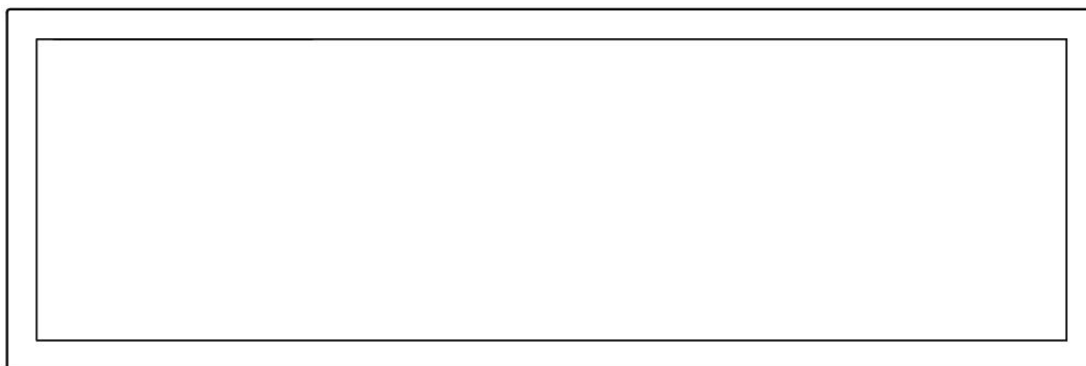
V případě výměny starých zařízení za nové má prodejce právní povinnost přijmout staré zařízení na likvidaci bez žádných doplňkových poplatků.

NÁSTENNÝ ELEKTRICKÝ KRB - BEZ TEPLA

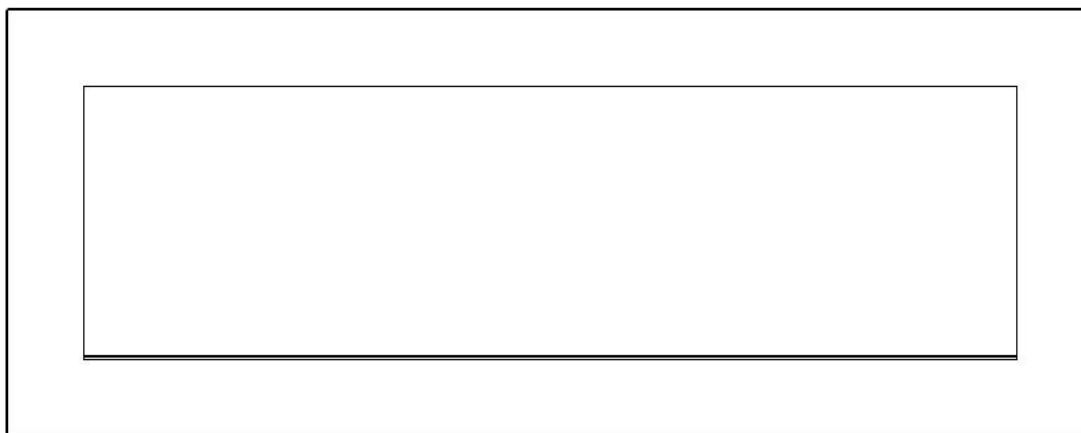
Model# : ■ AV-WM92PRI-S ■ AV-WM115PRI-S ■ AV-WM127PRI-S
■ AV-WM153PRI-S ■ AV-WM165PRI-S ■ AV-WM183PRI-S

Model# : ■ AV-WM105PRI-B ■ AV-WM128PRI-B ■ AV-WM140PRI-B
■ AV-WM166PRI-B ■ AV-WM178PRI-B

UŽIVATEĽSKÝ NÁVOD



Tenký rám na stenu / Vstavaný elektrický krb



Veľký rám na stenu / Vstavaný elektrický krb

AC 220V-240V 50Hz



UPOZOR NĚNIE

Pred zapojením alebo použitím zariadenia, si prečítajte s pochopením celý užívateľský návod so zohľadnením všetkých informácií týkajúcich sa bezpečnosti. Nedodržanie tejto požiadavky môže mať za následok vznik ohňa, zasiahnutie elektrickým prúdom alebo vážne poranenie tela.

DÔLEŽITÉ BEZPEČNOSTNÉ POKYNY:

UPOZORNENIE:

Počas používania elektrických zariadení je treba vždy dodržiavať základné bezpečnostné prostriedky za účelom zníženia rizika požiaru, zásahu elektrickým prúdom a zranenia osôb, so zohľadnením dole uvedených pokynov:

- Prečítajte všetky návody pred použitím tohto zariadenia.
- Nepoužívané zariadenie je potrebné vypojiť z napájania.
- Nespúšťajte zariadenie s poškodeným napájacím káblom alebo zástrčkou, alebo v prípade poruchy zariadenia pádu z výšky. Zariadenie je potrebné odovzdať do autorizovaného servisu za účelom preskúmania, elektrického alebo mechanického nastavenia alebo opravy.
- Zariadenie je určené výlučne na použitie vo vnútri budovy.
- Zariadenie nepoužívajte v kúpeľniach, práčovniach a podobných miestnostiach. Zariadenie nikdy neumiestňujte v miestach, kde môže spadnúť do vane alebo inej nádrže s vodou.
- Napájací kábel nevedzte pod krytinou. Kábel nezakrývajte kobercami, behúňmi a inými krytinami. Kábel vedzte zďaleka od často navštevovaných miest a takým spôsobom, aby sa nikdo o neho nepotkol.
- Za účelom vypnutia zariadenia, vypnite všetky kontrolky do polohy „OFF” a následne vytiahnite zástrčku zo zásuvky.
- Krb používajte spôsobom znázorneným v tomto návode. Všetky iné použitia neodporúčané výrobcom môžu spôsobiť požiar, zasiahnutie elektrickým prúdom alebo poranenie osôb.
- Svietidlá je možné vymieňať výlučne po odpojení krbu z napájania.
- Toto zariadenie nie je určené na používanie osobami (vrátane detí) so zníženými fyzickými, duševnými alebo vnemovými schopnosťami alebo osobami, ktoré nemajú príslušné vedomosti alebo skúsenosti, iba ak sa nachádzajú pod dozorom osoby zodpovednej za ich bezpečnosť alebo boli ňou poučené v rozsahu používania zariadenia. Je potrebné dbať na to, aby sa deti nehrali so zariadením.

Príprava



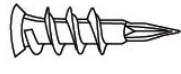
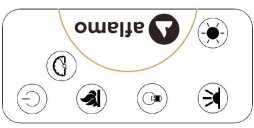

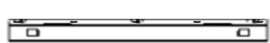
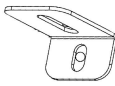



Tento výrobek je vybaven **skleněným panelem!** Vždy během přenášení **skla** je třeba zachovat **zvláštní opatrnost**. Nedodržení tohoto pokynu může mít za následek zranění těla nebo poškození majetku.

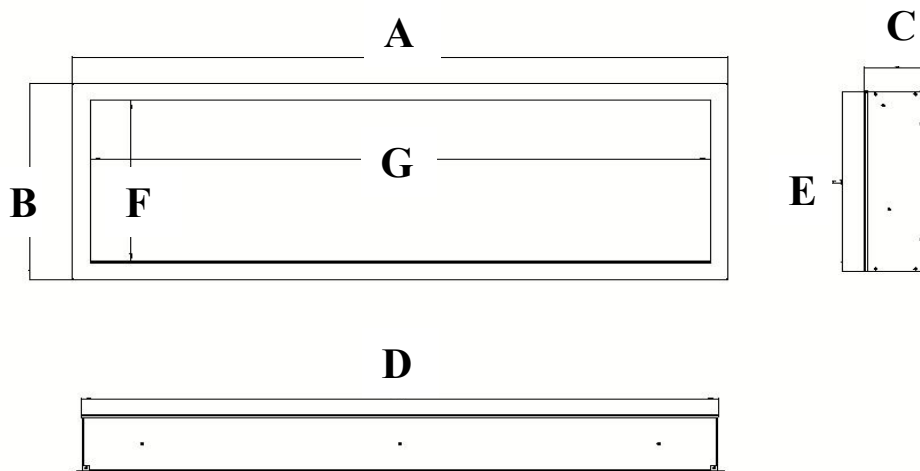
Vyberte všetko sústrojenstvo a montážne diely z kartónu a položte ich na čistom, mäkkom a suchom podklade. Skontrolujte zoznam dielov za účelom uistenia, že nič nechýba. Baliace materiály je potrebné zlikvidovať vhodným spôsobom. Vždy, keď je to možné, je potrebné odovzdávať odpady na opätovné spracovanie.

Potrebné bude nasledujúce náradie (nepredstavujú vybavenie): krížový skrutkovač; vodováha; meradlo; vrtačka; kladivo.

Sústrojenstvo a montážne diely

 <p>A – Krb</p>	 <p>B – Zápusťné skrutky do dreva</p>	 <p>C – Kotvy</p>
	 <p>Ovládač diaľkového ovládania</p>	 <p>Plastový prúžok uhlíkového lôžka</p>
	 <p>E - Nástenný držiak Montovaný v zadnej časti krytu</p>	 <p>F - Montážny držiak "L"</p>
		 <p>H - Polená</p>

Špecifikácie a rozmery



ROZMERY VÝROBKU

Číslo modelu	A	B	C	D	E	F	G
AV-WM92PRI-S	36" 91.5cm	16.54" 42cm	5.04" 12.8cm	34.53" 87.7cm	15.2" 38.6cm	13.78" 35cm	33.27" 84.5cm
AV-WM115PRI-S	45" 114.3cm	16.54" 42cm	5.04" 12.8cm	43.51" 110.5cm	15.2" 38.6cm	13.78" 35cm	42.24" 107.3cm
AV-WM127PRI-S	50" 127CM	16.54" 42cm	5.04" 12.8cm	48.51" 123.2cm	15.2" 38.6cm	13.78" 35cm	47.24" 120cm
AV-WM153PRI-S	60" 152.4cm	16.54" 42cm	5.04" 12.8cm	58.51" 148.6cm	15.2" 38.6cm	13.78" 35cm	57.24" 145.4cm
AV-WM165PRI-S	65" 165cm	16.54" 42cm	5.04" 12.8cm	63.51" 161.3cm	15.2" 38.6cm	13.78" 35cm	62.2" 158cm
AV-WM183PRI-S	72" 182.8cm	16.54" 42cm	5.04" 12.8cm	70.52" 179.1cm	15.2" 38.6cm	13.78" 35cm	69.21" 175.8cm

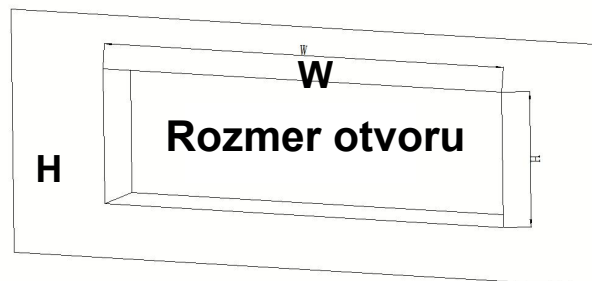
ROZMERY VÝROBKU

Číslo modelu	A	B	C	D	E	F	G
AV-WM105PRI-B	41.14" 104.5cm	21.65" 55cm	5.04" 12.8cm	34.53" 87.7cm	15.2" 38.6cm	13.78" 35cm	33.27" 84.5cm
AV-WM128PRI-B	50.12" 127.3cm	21.65" 55cm	5.04" 12.8cm	43.51" 110.5cm	15.2" 38.6cm	13.78" 35cm	42.24" 107.3cm
AV-WM140PRI-B	55.12" 140CM	21.65" 55cm	5.04" 12.8cm	48.51" 123.2cm	15.2" 38.6cm	13.78" 35cm	47.24" 120cm
AV-WM166PRI-B	65.12" 165.4cm	21.65" 55cm	5.04" 12.8cm	58.51" 148.6cm	15.2" 38.6cm	13.78" 35cm	57.24" 145.4cm
AV-WM178PRI-B	70.08" 178cm	21.65" 55cm	5.04" 12.8cm	63.51" 161.3cm	15.2" 38.6cm	13.78" 35cm	62.2" 158cm
AV-WM196PRI-B	77.09" 195.8cm	21.65" 55cm	5.04" 12.8cm	70.52" 179.1cm	15.2" 38.6cm	13.78" 35cm	69.21" 175.8cm

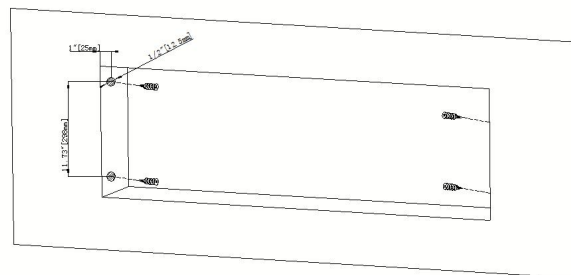
Montáž a inštalovanie

Upozornenie: Krb nainštalujte tak, aby ho bolo možné v prípade poruchy odmontovať zo steny na servisné účely.

MONTÁŽ V ZÁSTAVBE STENY



(A)

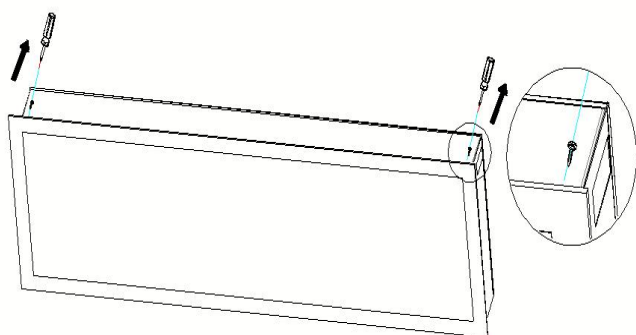


(B)

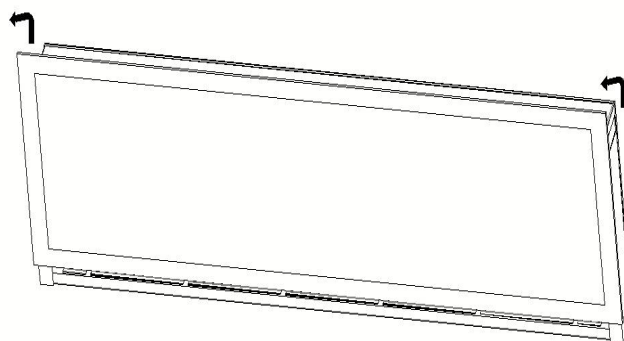
Krok A. Zvoľte stenu zo suchej omietky za účelom vykonania otvoru pre krb. Vhodné rozmery otvoru je potrebné skontrolovať v dole uvedenej tabuľke. **Obrázok (A)**

Rozmer otvoru		
Číslo modelu	W	H
AV-WM92PRI-S AV-WM105PRI-B	35.1" (89.2cm)	15.78" (40.1cm)
AV-WM115PRI-S AV-WM128PRI-B	44" (112cm)	15.78" (40.1cm)
AV-WM127PRI-S AV-WM140PRI-B	50.6" (128.5cm)	15.78" (40.1cm)
AV-WM153PRI-S AV-WM166PRI-B	59" (150.1cm)	15.78" (40.1cm)
AV-WM165PRI-S AV-WM178PRI-B	64" (162.8cm)	15.78" (40.1cm)
AV-WM183PRI-S AV-WM196PRI-B	7.1" (180.6cm)	15.78" (40.1cm)

Krok B. Namontujte tri rozperné kolíky na každej strane zariadenia, zhodne s rozmermi uvedenými na obrázku. **Obrázok (B)**



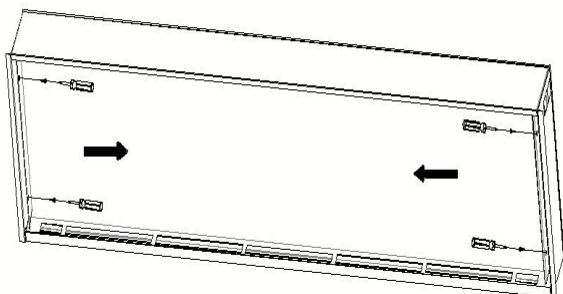
(C)



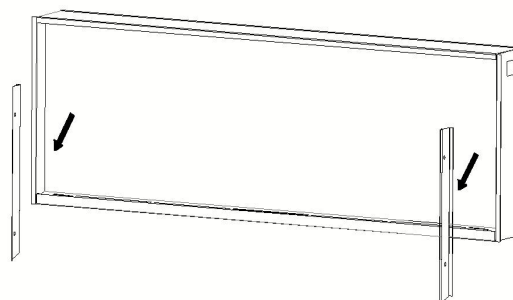
(D)

Krok C. Vyťahnite dve skrutky z oboch strán skleneného panelu. **Obrázok (C)**

Krok D. S pomocou druhej osoby snímte sklenený panel z krbu. Položte ho na mäkkom a čistom podklade. **Obrázok (D)**

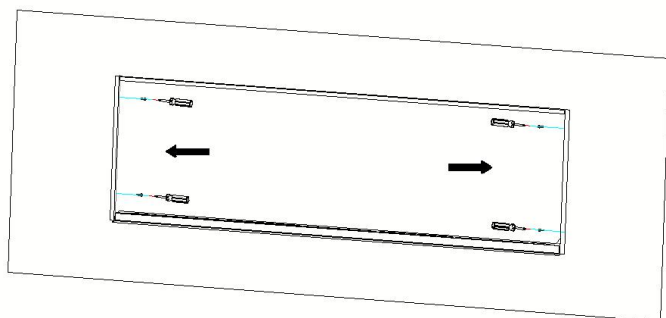


(E)

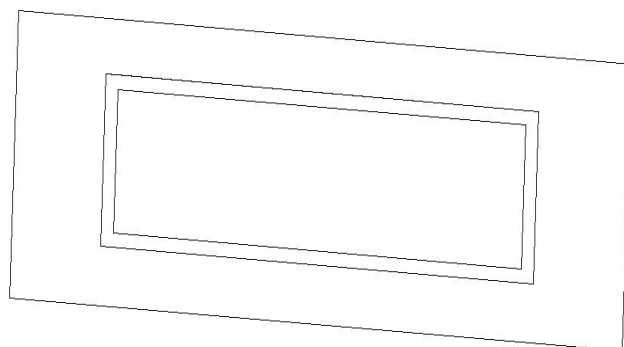


(F)

Krok E. Odstráňte dve skrutky na oboch stranách, potom odstráňte dve kovové úchytky a odložte ich, pretože ich budete musieť znova zaskrutkovať. **Obrázok (E, F)**



(G)



(H)

Krok F. S pomocou druhej osoby vložte modul krbu do otvoru v stene.

- Použite 4 skrutky (sú súčasťou balenia) spolu s bočnými úchytkami na zaistenie zariadenia v stene **Obrázok (G)**
- Preinštalujte dva držiačky, potom nainštalujte médium a znova nainštalujte predné sklo. **Obrázok (H)**

NÁSTENNÁ MONTÁŽ

Z dôvodu mnohých rôznych materiálov používaných na rôznych stenách, odporúča sa konzultácia s profesionálom pred nainštalovaním tohto zariadenia na stene.

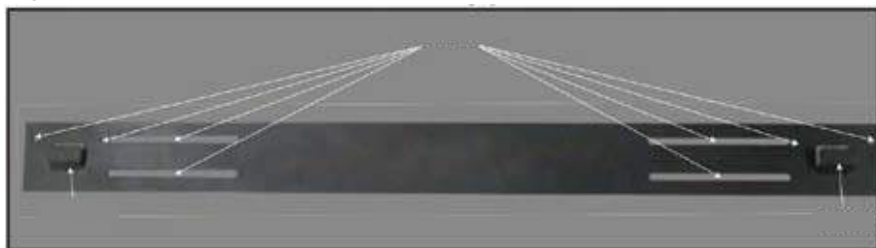
A. Zvoľte miesto, ktoré nepodlieha vlhku a nachádza sa najmenej 100 cm od ľahko horľavých materiálov, takých akými sú záclony, nábytok, posteľ, papier atď.

B. Pre určenie konečnej lokalizácie sú potrebné dve osoby na držanie.

C. Kryt umiestnite prednou časťou dolu na mäkký, nedrsný povrch. Vyberte vzperu zo zadnej časti zariadenia vyskrutkovaním skrutiek, vid' Obrázok 1.

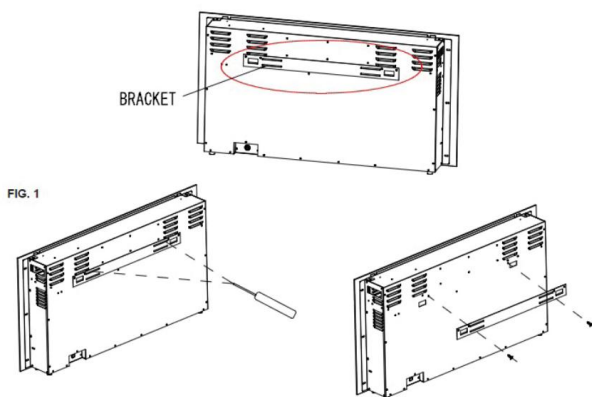
D. Označte polohu a následne pripevnite vzpery do steny prostredníctvom dodaných skrutiek. Úchytky vzpery MUSIA byť nasmerované hore a samotnú vzperu je potrebné nivelovať.

POZOR: Rozhodne sa odporúča, aby montážna vzpera (E) bola priskrutkovaná k nástenným kolíkom tam, kde je to možné. Pokiaľ nie je možné použiť nástenné zápusťné skrutky, uistite sa, že dodané plastové kotvy sú použité na pripevnenie vzpery ku stene, a vzpera je vhodne zaistená.



E. Po nainštalovaní nástennej montážnej vzpery, s pomocou druhej osoby zdvihnite zariadenie a nasadte dve úchytky vzpery v otvoroch na zadnej strane zariadenia.

F. Skontrolujte stabilitu zariadenia, uistite sa, že vzpera sa nevysunie zo steny.

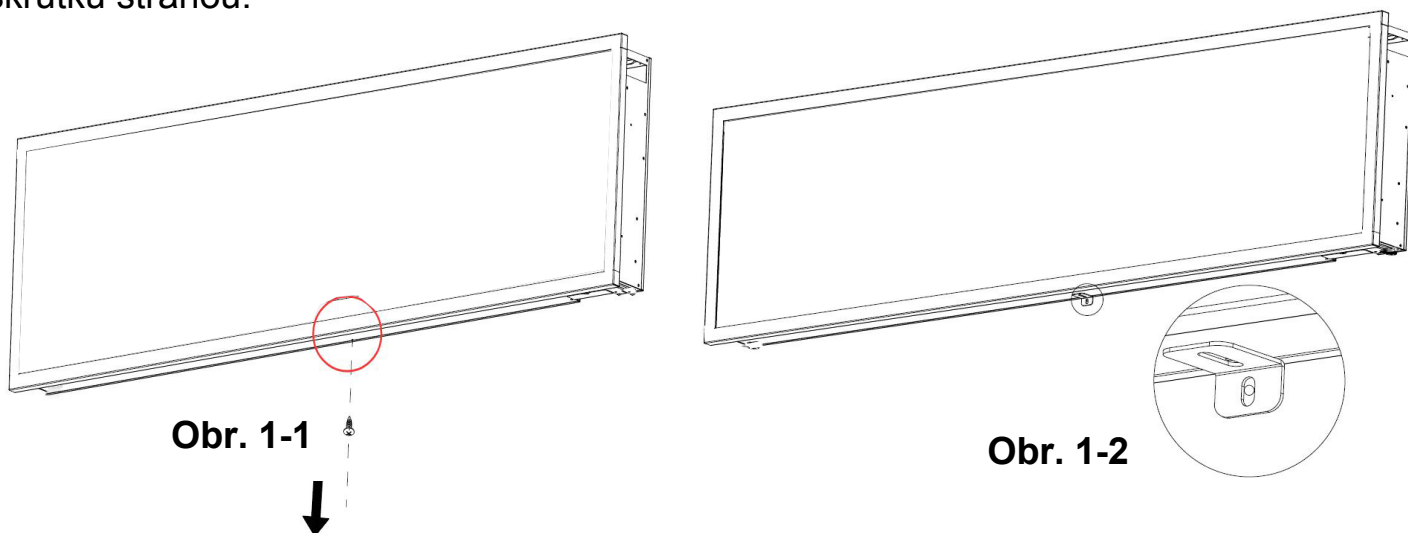


Ilustrácia predstavujúca nástennú vzperu

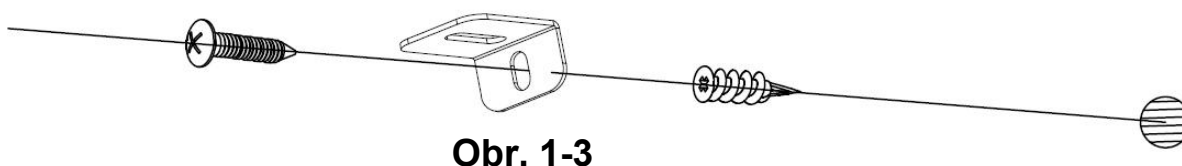
Inštalácia držiaku tvaru "L"

Po inštalácii nástenného držiaka (držiakov)

A. Odstráňte striebornú skrutku na spodnej strane zariadenia. (**Obr. 1-1**). Odložte skrutku stranou.



B. Pomocou predtým vytiahnuté skrutky pripevnite L-držiak (súčasť dodávky) k spodnej časti krbovej skrine. (**Obr. 1-2**)



C. Namontujte plastovú kotvu do suchej steny a potom namontujte skrutku **B** (súčasť dodávky) do otvoru L-držiaku do nástenné kotvy, aby ste zaistili krb pred vypadnutím z háčikov. (**Obr. 1-3**)

Montáž sady polen / krystálků / ozdobných kamíneků

(**POZOR:** montáž provedte v souladu se zakoupeným nebo zvoleným druhem ohniště)

A. Před přistoupením k montáži sady polen / krystalků / ozdobných kamíneků, zařízení musí být nainstalováno v cílovém místě a je třeba sundat přední skleněné okno.

B. Opatrne umiestnite plastový prúžok uhlíkového lôžka do slotu a potom umiestnite kryštály/štrk uhlíkov na povrch uhlíkového lôžka, tak ako je znázornené. Aplikujte rovnomernú vrstvu zo strany na stranu.

Obrázok 1, obrázok 2.



Obrázok 1. (Kryštálíky)



Obrázok 2. (Kamienky)

Voliteľná inštalačná sada

Opatrne umiestnite inštalačnú sadu do určeného slotu (viď obrázok nižšie) (obrázok 3)



Obrázok 3. (Inštalačná sada)

Obsluha



Pred zapojením alebo použitím zariadenia, prečítajte s pochopením celý užívateľský návod so zohľadnením všetkých informácií týkajúcich sa bezpečnosti. Nedodržanie tejto požiadavky môže mať za následok vznik ohňa, zasiahnutie elektrickým prúdom alebo vážne poranenie tela alebo smrť.

Zapojenie do napájania

Zapojte napájací kábel do zásuvky AC 220-240 V (viď **DÔLEŽITÉ BEZPEČNOSTNÉ NÁVODY** na stranách 2 a 3). Uistite sa, že zásuvka je v dobrom technickom stave a zástrčka nie je voľná. NIKDY neprekračujte povolenú intenzitu prúdu pre obvod. **NEzapájajte** iné zariadenia do rovnakého obvodu.

Spôsobu obsluhy



Tento elektrický krb môže byť ovládaný LEN DIALKOVÝM OVLÁDANÍM.





Pred prístupom k obsluhu sa zoznámte s **PLATNÝMI BEZPEČNOSTNÝMI NÁVODMI** na stranách 2 a 3 a dodržiavajte ich.



Dialkové ovládanie

Obsluha ovládača


TLAČIDLO	FUNKCIA	FUNGOVANIE A SIGNALIZÁCIA
 POWER	ZAP.: Aktivuje funkciu ovládacieho panela a ovládača. Zapína efekt plameňa. VYP: Blokuje funkciu ovládacieho panela a ovládača. Vypína efekt plameňa.	1. Stlačte raz: Kontrolka bude svietiť. Zapojenie napájania. Všetky funkcie sú aktívne. 2. Stlačte opäť: Efekt plameňa je vypnutý. Zariadenie je v režime čakania. Všetky funkcie sú neaktívne.
 SPEED	Rýchlosť efektu: Zmena rýchlosti efektu plameňa. Existujú 3 úrovne rýchlosti: 01 (pomalá), 02 (stredná), 03 (rýchla), 04 (najrýchlejší).	1. Stlačte raz. Rozsvieti sa kontrolka. Bude nasledovať zmena rýchlosti. 2. Opakujte stlačenie až kým nedosiahnete požadované nastavenie. Predvolené 02.

 FLAME COLOR	<p>Tlačidlo FARBY: Zmena farby pre efekt plameňa.</p> <p>POZOR: Efekt farby zostáva aktívny do okamihu stlačenia tlačidla napájania. Efekt farby plameňa musí byť zapnutý za účelom spustenia vykurovacieho telesa.</p>	<ol style="list-style-type: none"> 1. Stlačte raz: Zmena farby plameňa. 2. Stlačte opäť dokiaľ nezískate požadované nastavenie. K dispozícii sú 3 farby.
 FLAME BRIGHTNESS	<p>Tlačidlo PLAMEŇA: nastavenie jas plameňa.</p> <p>POZOR: Efekt plameňa zostáva zapnutý do okamihu stlačenia tlačidla napájania. Efekt plameňa musí byť zapojený za účelom spustenia vykurovacieho telesa.</p>	<ol style="list-style-type: none"> 1. Stlačte raz: Zmena jas efektu plameňa. 2. Stlačte opäť dokiaľ nezískate požadované nastavenie.
 EMBER LIGHTS	<p>Tlačidlo podsvietenia polien: Mení sa farba v dolnej časti efektu.</p> <p>POZNÁMKA: Farebný efekt zostane aktívny, kým nestlačíte tlačidlo napájania.</p> <p>POZNÁMKA: Tento krb má funkciu zapamätania si nastavení podsvietenia.</p>	<ol style="list-style-type: none"> 1. Stlačte raz. Zmení sa farba podsvietenia. 2. Opakujte stlačenie až kým nedosiahnete požadované nastavenie. K dispozícii je 10 farieb. 3. Automatický cyklus: Keď stlačíte tlačidlo 11. krát, farba podsvietenia sa bude automaticky meniť (POZNÁMKA: farby sa menia po 15 sekundách).
 EMBER BRIGHTNESS	<p>Jas podsvietenia: Zmena jas podsvietenia.</p> <p>POZNÁMKA: Jas podsvietenia zostane aktívny, kým nestlačíte tlačidlo napájania.</p>	<ol style="list-style-type: none"> 1. Stlačte raz. Zmena jas podsvietenia. 2. Opakujte stlačenie až kým nedosiahnete požadované nastavenie. K dispozícii je 5 úrovní.

POZOR Za účelom zlepšenia činnosti, **nasmerujte** ovládač na prednú časť krbu. **Nestláčajte tlačidlá príliš rýchle.** Počkajte chvíľku než zariadenie zareaguje na jednotlivé pokyny.

Informácie o batériách ovládača

- Diaľkové ovládanie používa jednu batériu CR2025 (súčasť dodávky)

 **NIKDY** nevhazujte batérie do **ohňa**. Konanie nezgodné s touto požiadavkou **môže hroziť výbuchom**. Použité batérie je potrebné vhadzovať do špeciálne označených nádob a odovzdať ich v Stredisku Triedeného Zberu Komunálneho Odpadu.

Čistenie a údržba

Čistenie



Pred zahájením čistenia, údržby alebo prenášania krbu, je potrebné **VŽDY vypínať** vykurovacie teleso a **vypnúť napájací kábel zo zásuvky**. Nedodržanie tejto požiadavky môže mať za následok **vznik ohňa, zasiahnutie elektrickým prúdom alebo poranenie tela**.



NIKDY zariadenie **neponárajte vo vode ani nestriekajte na neho vodu**. Také konanie môže mať za následok **vznik ohňa, zasiahnutie elektrickým prúdom alebo poranenie tela**.

Kovové diely:

- Leštite suchou handričkou, jemne navlhčenou v čistiacom prípravku na báze citrusových olejčkov.
- **NEpoužívajte** prostriedky na leštenie mosadze alebo domáce čistiace prostriedky, pretože tieto výrobky poškodzujú kovové vykonanie.

Sklenené diely

- Používajte vysokokvalitný prostriedok na umývanie sklenených plôch, rozprašovaný na handričku alebo utierku. Dôkladne vysušte papierovou utierkou alebo nestrapkajúcou handričkou.
- **NIKDY** nepoužívajte brúsne čistiace prostriedky, aerosóly alebo iné výrobky, ktoré môžu poškriabať povrch.

Ventilačné mriežky:

- Odstráňte prach a nečistoty z vykurovacieho telesa a povrchu mriežok prostredníctvom vysávača alebo handričky na prach.

Plastové diely:

- Jemne utrite handričkou, jemne navlhčenou v jemnom roztoku prostriedku na umývanie riadu a teplej vody.
- **NIKDY** nepoužívajte brúsne čistiace prostriedky, aerosóly alebo iné výrobky, ktoré môžu poškriabať povrch.

Údržba



Riziko zasiahnutia prúdom! NEOTVÁRAJTE žiadne panely! Zariadenie neobsahuje diely určené na samostatnú opravu!



Pred zahájením čistenia, údržby alebo prenášania krbu, **VŽDY vypínajte** vykurovacie teleso a **vytiahnite napájací kábel zo zásuvky**. Nedodržanie tejto požiadavky môže mať za následok **vznik ohňa, zasiahnutie elektrickým prúdom alebo poranenie tela**.

Elektrické a pohyblivé diely:

- Elektrické diely sú integrované v zariadení a nesmú byť samostatne opravované.

Prechovávanie:

- Nepoužívané zariadenie je potrebné prechovávať na čistom, suchom mieste.



UPOZORNENIE! Vnútorne elektrické diely **NIE SÚ URČENÉ** na samostatnú opravu užívateľom.



WEEE:

Likvidácia a recyklácia:

Toto zariadenie nesmiete vyhadzovať s obyčajným, netriedeným komunálnym odpadom. Je potrebné používať špeciálne zberné miesta. Za účelom získania informácií týkajúcich sa dostupných systémov zberu odpadov je potrebné kontaktovať miestne orgány. V prípade likvidácie elektrických zariadení na smetiskách alebo skládkach odpadu môže dôjsť k prieniku nebezpečných látok do podzemných vôd a ich prieniku do potravinového reťazca, čo môže mať negatívny vplyv na zdravie a sebedomie.

V prípade výmeny starých zariadení za nové má predajca právnu povinnosť prijať staré zariadenie na likvidáciu bez žiadnych doplnkových poplatkov.